

REV series cable glands are suitable for use in hazardous areas with danger of explosion to enable direct insertion of non-armoured cables into explosion-proof junction boxes, lighting fixtures, plugs and sockets, etc... They are provided with one sealing ring which tightens the incoming cable ensuring the 'Ex d' way of protection and the IP 66/67. Designed with a single opening key, they are less bulky and easier to install. Thanks to their structure, they are particularly suitable both in harsh application, such as marine one, and places subjected to stress and mechanical shock as it often happens in all those places of the "heavy" industry where safety is a top priority. REV series cable glands has three types of protection 'Ex d', 'Ex e' and 'Ex tb'.



Interactive Point

[REV assembly instructions video](#)

<b>Classification:</b> 2014/34/UE	Group II	Category 2GD
<b>Installation:</b> EN 60079.14	zone 1 - zone 2 (Gas)	zone 21 - zone 22 (Dusts)
<b>Marking:</b>	CE 0722 Ex II 2 GD - Ex d IIC Gb Ex tb IIC Db - IP66/67	
<b>Certification:</b>	ATEX	CESI 13 ATEX 019 X
	IECEX	IECEX CES 13.0005X
	TR CU	AVAILABLE
<b>Standards:</b>	CENELEC EN 60079-0: 2012, EN 60079-1: 2007, EN 60079-7: 2007, EN 60079-31: 2009 and European Directive 2014/34/UE	
	IEC60079-0: 2011, IEC60079-1: 2007-04, IEC60079-31: 2008, IEC 60079-7: 2006-07 Directive RoHS 2002/95/CE	
<b>Class temperature:</b>	-40°C +110°C	
<b>Degree of protection:</b>	IP66/67	

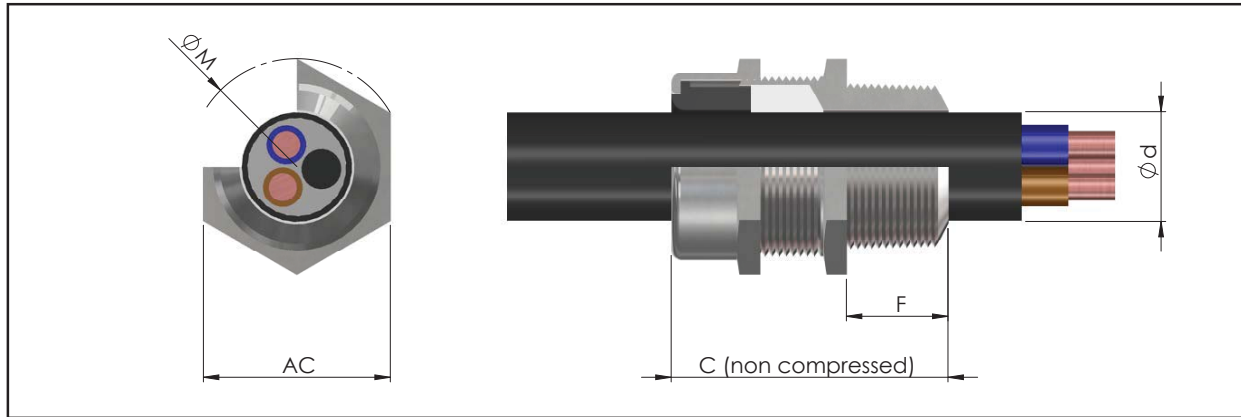
All IEC Ex and TR CU certification data can be downloaded at [www.cortemgroup.com](http://www.cortemgroup.com)

Certificates are available on [www.cortemgroup.com](http://www.cortemgroup.com)

**Accessories upon request**

Locknut	ISO thread	Nichel-plated brass	Galvanized steel	Stainless steel	Shrouds black PVC made	Code
	M16x1,5	<b>DL01IB</b>	<b>DL01IG</b>	<b>DL01IS</b>		<b>PGA1F</b>
	M20x1,5	<b>DL1IB</b>	<b>DL1IG</b>	<b>DL1IS</b>		<b>PGA1F</b>
	M25x1,5	<b>DL2IB</b>	<b>DL2IG</b>	<b>DL2IS</b>		<b>PGA2R</b>
	M32x1,5	<b>DL3IB</b>	<b>DL3IG</b>	<b>DL3IS</b>		<b>PGA3</b>
	M40x1,5	<b>DL4IB</b>	<b>DL4IG</b>	<b>DL4IS</b>		<b>PGA4</b>
	M50x1,5	<b>DL5IB</b>	<b>DL5IG</b>	<b>DL5IS</b>		<b>PGA5</b>
M63x1,5	<b>DL6IB</b>	<b>DL6IG</b>	<b>DL6IS</b>	<b>DL6IS</b>	<b>PGA6R</b>	
Nichel-plated brass earthing rings	For ISO threading	Nichel-plated brass	Stainless steel	Stainless steel idented washers *	Code	Adaptors and reducers RE... series
	M16x1,5	<b>A0131B</b>	<b>A0131S</b>		<b>RD101S/A4</b>	
	M20x1,5	<b>A1311B</b>	<b>A1311S</b>		<b>RD11S/A4</b>	
	M25x1,5	<b>A2312B</b>	<b>A2312S</b>		<b>RD12S/A4</b>	
	M32x1,5	<b>A3313B</b>	<b>A3313S</b>		<b>RD13S/A4</b>	
	M40x1,5	<b>A4314B</b>	<b>A4314S</b>		<b>RD14S/A4</b>	
	M50x1,5	<b>A5315B</b>	<b>A5315S</b>		<b>RD15S/A4</b>	
M63x1,5	<b>A6316B</b>	<b>A6316S</b>	<b>A6316S</b>	<b>RD16S/A4</b>		

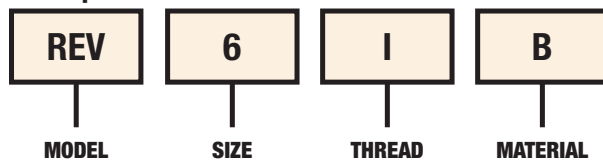
\* For different threads contact the sales office.



### CABLE GLANDS SELECTION TABLE

Code Nichel-plated brass	Thread	Dimensions in mm				Range Ød min-max Under armour	Weight Kg
		AC	ØM	F	C		
REV01B	3/8" ISO7/1	24	28	15	44	5 - 10	0,062
REVL1B	1/2" ISO7/1	24	28	18	47	5 - 10	0,079
REV1B	1/2" ISO7/1	24	28	18	47	7 - 12	0,070
REV2B	3/4" ISO7/1	32	37	18	48,5	12 - 18	0,104
REV3B	1" ISO7/1	40	47	22	59,5	18 - 24	0,172
REV4B	1 1/4" ISO7/1	48	56	22	60	24 - 30	0,252
REV5B	1 1/2" ISO7/1	53	62	24	64	30 - 35	0,316
REV6B	2" ISO7/1	63	73	24	64	35 - 45	0,424
REV01NB	3/8" NPT	24	28	16	45	5 - 10	0,062
REVL1NB	1/2" NPT	24	28	20	49	5 - 10	0,079
REV1NB	1/2" NPT	24	28	20	49	7 - 12	0,070
REV2NB	3/4" NPT	32	37	20	50,5	12 - 18	0,104
REV3NB	1" NPT	40	47	26	63,5	18 - 24	0,172
REV4NB	1 1/4" NPT	48	56	26	64	24 - 30	0,252
REV5NB	1 1/2" NPT	53	62	26	66	30 - 35	0,316
REV6NB	2" NPT	63	73	27	67	35 - 45	0,424
REV01IB	M16x1,5	24	28	16	45	5 - 10	0,062
REVL1IB	M20x1,5	24	28	16	45	5 - 10	0,079
REV1IB	M20x1,5	24	28	16	45	7 - 12	0,070
REV2IB	M25x1,5	32	37	16	46,5	12 - 18	0,104
REV3IB	M32x1,5	40	47	16	53,5	18 - 24	0,172
REV4IB	M40x1,5	48	56	16	54	24 - 30	0,252
REV5IB	M50x1,5	53	62	16	56	30 - 35	0,316
REV6IB	M63x1,5	63/65	73	18	58	35 - 45	0,424

### Example of Order Code



### TECHNICAL NOTES:

- The silicone o-ring for the IP protection for cylindrical threads (ISO metric) is supplied already assembled on cable gland
- Available also in stainless steel (example code REV1S)
- Available also in galvanized steel (example code REV1G)
- For "Ex i" intrinsically safe marking, blu nut RAL 5015 (example code REV1SIA)

REVL series cable glands are suitable for use in hazardous areas with danger of explosion to enable direct insertion of non-armoured cables into explosion-proof junction boxes, lighting fixtures, plugs and sockets, etc... This series can accommodate smaller cable diameters than the standard required for each measure. In this way, the use of reducers is avoid. They are provided with one sealing ring which tightens the incoming cable ensuring the 'Ex d' way of protection and the IP 66/67.



<b>Classification:</b> 2014/34/UE	Group II	Category 2GD
<b>Installation:</b> EN 60079.14	zone 1 - zone 2 (Gas)	zone 21 - zone 22 (Dust)
<b>Marking:</b>	CE 0722 Ex II 2 GD - Ex d IIC Gb Ex tb IIC Db - IP66/67	
<b>Certification:</b>	ATEX	CESI 13 ATEX 019 X
	IECEx	IECEx CES 13.0005X
	TR CU	AVAILABLE
<b>Standards:</b>	CENELEC EN 60079-0: 2012, EN 60079-1: 2007, EN 60079-7: 2007, EN 60079-31: 2009 and European Directive 2014/34/UE	
	IEC60079-0: 2011, IEC60079-1: 2007-04, IEC60079-31: 2008, IEC 60079-7: 2006-07 Directive RoHS 2002/95/CE	
<b>Class temperature:</b>	-40°C +110°C	
<b>Degree of protection:</b>	IP66/67	

All IEC Ex and TR CU certification data can be downloaded at [www.cortemgroup.com](http://www.cortemgroup.com)

Interactive Point

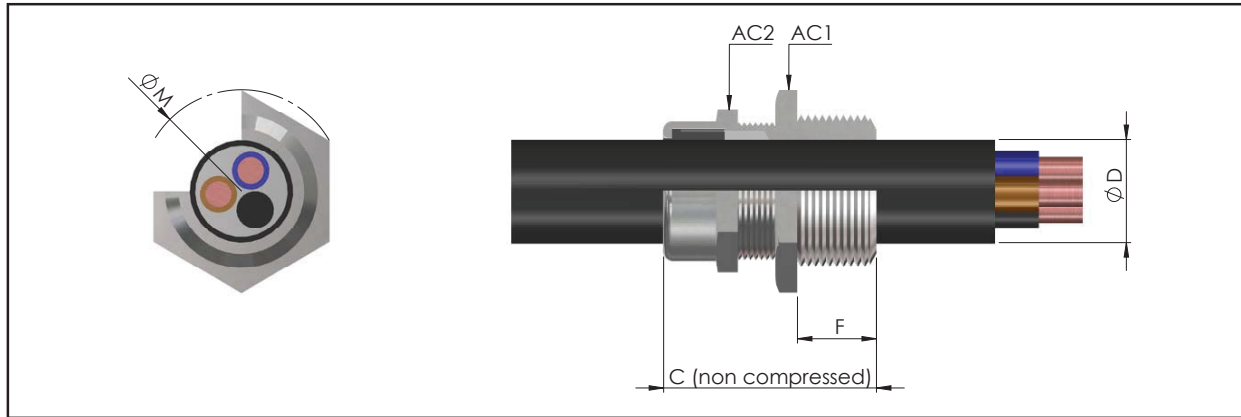
[REV assembly instructions video](#)

Certificates are available on [www.cortemgroup.com](http://www.cortemgroup.com)

**Accessories upon request**

Locknut	ISO thread	Nichel-plated brass	Galvanized steel	Stainless steel	Shrouds black PVC made	Code
	M20x1,5	DL1IB	DL1IG	DL1IS		PGA1F
	M25x1,5	DL2IB	DL2IG	DL2IS		PGA1F
	M32x1,5	DL3IB	DL3IG	DL3IS		PGA2R
	M40x1,5	DL4IB	DL4IG	DL4IS		PGA3
	M50x1,5	DL5IB	DL5IG	DL5IS		PGA4
	M63x1,5	DL6IB	DL6IG	DL6IS		PGA5
Nichel-plated brass earthing rings *	For ISO threading	Nichel-plated brass	Stainless steel	Stainless steel idented washers *	Code	Adaptors and reducers RE... series
	M20x1,5	A1311IB	A1311IS		RD11S/A4	
	M25x1,5	A2312IB	A2312IS		RD12S/A4	
	M32x1,5	A3313IB	A3313IS		RD13S/A4	
	M40x1,5	A4314IB	A4314IS		RD14S/A4	
	M50x1,5	A5315IB	A5315IS		RD15S/A4	
	M63x1,5	A6315IB	A6315IS		RD16S/A4	

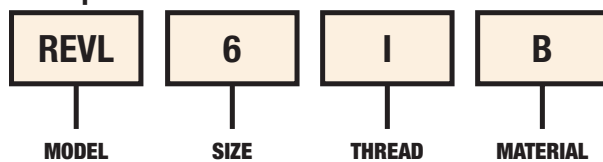
\* For different threads contact the sales office.



### CABLE GLANDS SELECTION TABLE

Code Nichel-plated brass	Thread	Dimensions in mm					Range Ød min-max Under armour	Weight Kg
		AC1	AC2	ØM	F	C		
REVL1B	1/2" ISO7/1	24	24	28	18	47	5 - 10	0,079
REVL2B	3/4" ISO7/1	32	24	37	18	47	7 - 12	0,116
REVL3B	1" ISO7/1	40	32	47	22	52,5	12 - 18	0,184
REVL4B	1 ¼" ISO7/1	48	40	56	22	59,5	18 - 24	0,310
REVL5B	1 ½" ISO7/1	53	48	62	24	62	24 - 30	0,387
REVL6B	2" ISO7/1	63	53	73	24	64	30 - 35	0,420
REVL1NB	1/2" NPT	24	24	28	20	48	5 - 10	0,079
REVL2NB	3/4" NPT	32	24	37	20	49	7 - 12	0,116
REVL3NB	1" NPT	40	32	47	26	56,5	12 - 18	0,184
REVL4NB	1 ¼" NPT	48	40	56	26	63,5	18 - 24	0,310
REVL5NB	1 ½" NPT	53	48	62	26	64	24 - 30	0,387
REVL6NB	2" NPT	63	53	73	27	67	30 - 35	0,420
REVL1IB	M20x1,5	24	24	28	16	45	5 - 10	0,079
REVL2IB	M25x1,5	32	24	37	16	45	7 - 12	0,116
REVL3IB	M32x1,5	40	32	47	16	46,5	12 - 18	0,184
REVL4IB	M40x1,5	48	40	56	16	53,5	18 - 24	0,310
REVL5IB	M50x1,5	53	48	62	16	54	24 - 30	0,387
REVL6IB	M63x1,5	63/65	53	73	18	58	30 - 35	0,420

#### Example of Order Code



#### TECHNICAL NOTES:

- The silicone o-ring for the IP protection for cylindrical threads (ISO metric) is supplied already assembled on cable gland
- Available also in stainless steel (example code REVL1S)
- Available also in galvanized steel (example code REVL1G)
- For "Ex i" intrinsically safe marking, blu nut RAL 5015 (example code REVL1SIA)

REV/REVS series cable glands from 2 1/2" to 4" are suitable for use in hazardous areas with danger of explosion to enable direct insertion of non-armoured cables into explosion-proof junction boxes, lighting fixtures, plugs and sockets, etc... They are provided with one sealing ring which tightens the incoming cable ensuring the 'Ex d' way of protection and the IP 66/67.

Thanks to their structure, they are particularly suitable both in harsh application, such as marine one, and places subjected to stress and mechanical shock as it often happens in all those places of the "heavy" industry where safety is a top priority.

REV series cable glands has three types of protection 'Ex d', 'Ex e' and 'Ex tb'.



Interactive Point

[REV assembly instructions video](#)

<b>Classification:</b> 2014/34/UE	Group II	Category 2GD
<b>Installation:</b> EN 60079.14	zone 1 - zone 2 (Gas)	zone 21 - zone 22 (Dust)
<b>Marking:</b>	CE 0722 Ex II 2 GD - Ex d IIC Gb Ex tb IIC Db - IP66/67	
<b>Certification:</b>	ATEX	CESI 13 ATEX 019 X
	IECEX	IECEX CES 13.0005X
	TR CU	AVAILABLE
<b>Standards:</b>	CENELEC EN 60079-0: 2012, EN 60079-1: 2007, EN 60079-7: 2007, EN 60079-31: 2009 and European Directive 2014/34/UE	
	IEC60079-0: 2011, IEC60079-1: 2007-04, IEC60079-31: 2008, IEC 60079-7: 2006-07 Directive RoHS 2002/95/CE	
<b>Class temperature:</b>	-40°C +110°C	
<b>Degree of protection:</b>	IP66/67	

All IEC Ex and TR CU certification data can be downloaded at [www.cortemgroup.com](http://www.cortemgroup.com)

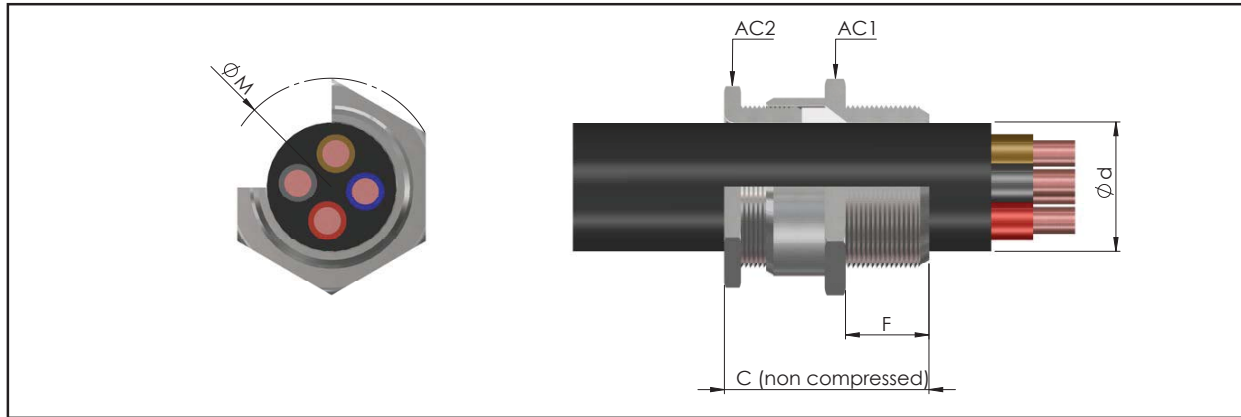
Certificates are available on [www.cortemgroup.com](http://www.cortemgroup.com)

Accessories upon request							
Locknut *	ISO thread	Nichel-plated brass	Galvanized steel	Stainless steel	Nichel-plated brass earthing rings *	Code	Adaptors and reducers RE... series
	M75x1,5	DL7IB	DL7IG	DL7IS		A7317IB	
	M90x1,5	DL8IB	DL8IG	DL8IS		A8318IB	
	M100x1,5	DL10IB	DL10IG	DL10IS		A10310IB	

\* For different threads contact the sales office.

**Note**

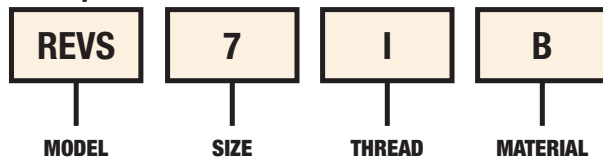
Shrouds for cable glands upon request.  
Idented washer in stainless steel upon request.



### CABLE GLANDS SELECTION TABLE

Code Nichel-plated brass	Thread	Dimensions in mm					Range Ød min-max Under armour	Weight Kg
		AC1	AC2	ØM	F	C		
REV7B	2 ½" ISO7/1	84	73	90	30	100	46 - 55	1,492
REVS7B	2 ½" ISO7/1	90	84	100	30	100	55 - 62	1,452
REV8B	3" ISO7/1	100	94	106	30	100	62 - 70	1,944
REVS8B	3" ISO7/1	105	98	110	30	100	70 - 78	1,791
REV9B	3 ½" ISO7/1	115	105	120	30	101	76 - 84	2,356
REVS9B	3 ½" ISO7/1	120	112	125	30	101	84 - 92	2,302
REV10B	4" ISO7/1	115	105	120	30	101,5	76 - 84	3,010
REVS10B	4" ISO7/1	120	112	125	30	101,5	84 - 92	2,457
REV7NB	2 ½" NPT	84	73	90	30	110	46 - 55	1,492
REVS7NB	2 ½" NPT	90	84	100	30	110	55 - 62	1,452
REV8NB	3" NPT	100	94	106	30	112	62 - 70	1,944
REVS8NB	3" NPT	105	98	110	30	112	70 - 78	1,791
REV9NB	3 ½" NPT	115	105	120	30	114	76 - 84	2,356
REVS9NB	3 ½" NPT	120	112	125	30	114	84 - 92	2,302
REV10NB	4" NPT	115	105	120	30	115,5	76 - 84	3,010
REVS10NB	4" NPT	120	112	125	30	115,5	84 - 92	2,457
REV7IB	M75x1,5	84	73	90	30	88	46 - 55	1,492
REVS7IB	M75x1,5	90	84	100	30	88	55 - 62	1,452
REV8IB	M90x1,5	100	94	106	30	88	62 - 70	1,944
REVS8IB	M90x1,5	105	98	110	30	88	70 - 78	1,791
REV10IB	M100x1,5	115	105	120	30	89,5	76 - 84	3,010
REVS10IB	M100x1,5	120	112	125	30	89,5	84 - 92	2,457

#### Example of Order Code



#### TECHNICAL NOTES:

- The silicone o-ring for the IP protection for cylindrical threads (ISO metric) is supplied already assembled on cable gland
- Available also in stainless steel (example code REVS7S)
- Available also in galvanized steel (example code REVS7G)
- For "Ex i" intrinsically safe marking, blu nut RAL 5015 (example code REV8SIA)