

**SERIE: HELIOS POTENCIAS DESDE 20 A 50W**



# SolarWrap

Vertical Solar | LED Street Light

2019~2020

# SolarWrap

## What Is It?

Hexagonal solar LED street post is a advanced combination with latest technology. It adopts the hexagonal solar modules as a revolutionary design in 2019.

Solar hexagon is based on modular conception which is can be easily mounted to any kind of pole within diameter 165mm, It adopts mono-crystalline solar panel with high efficiency up to 21.2% and more than 20 years lifetime. It has a very aesthetical appearance and has a much better wind resistance than regular solar panel.

The whole post only includes two functional components including solar hexagon and solar light head which can be connected directly by MC4 connectors. The battery and solar controller are built inside of light fixture. The power of lights covers from 20W to 120W which can be installed on poles from 5M to 14M.

Solar hexagon light post is a premium and advanced product. It is designed specially for these projects concerning a lot on aesthetical appearance as well as high luminous, durable quality system and longtime lifetime.



## Universal Application

SolarWrap can be used in any type of poles and designs without dismantling them makes the application. Poles can be sourced separately, the detachable design with adjustable spacing brackets helps the mounting easy in every pole.



## 360° Full Day Charging

6 slim solar panels are fixed tightly on a hexagon frame. so it ensures 50% of solar panel will face to sunshine at any time of the day.



## Modular Installation

This solar hexagonal module is based on modular design concept for easy installation and disassembly. It can be quickly and easily mounted on any suitable pole.



## Patented Design

SolarWrap solar hexagonal module is designed based on advanced concepts and manufactured in high standards. PCT pre-registration was processed in 180 countries to protect market.



## Strong Wind Resistance

The hexagonal design reduces the wind resistance area, and each module is directly fastened to the pole by 12 screws for better wind resistance. It can stand well against even 10 grade typhoon.



## Never Snow Covering

Solar hexagonal modular mounted in vertical, it is not easy to be covered by snow as regular solar panel. Ensure enough power can be generated even in very snowy climate. Never worry black



## Easy to Clean

Less dust will fall on surface than regular solar panel. Worker can clean it easily standing on ground with a long handle brush. no need lift. higher work efficiency and less maintenance cost.



## Design Aesthetics

The relatively large size of solar panels on the pole top has made the solar lighting not an option for the areas where the design aesthetics and decorative lighting applications are used. SolarWrap module systems is the real answer which is compact and fully integrates on the pole and available in custom colors to match the design of the pole.

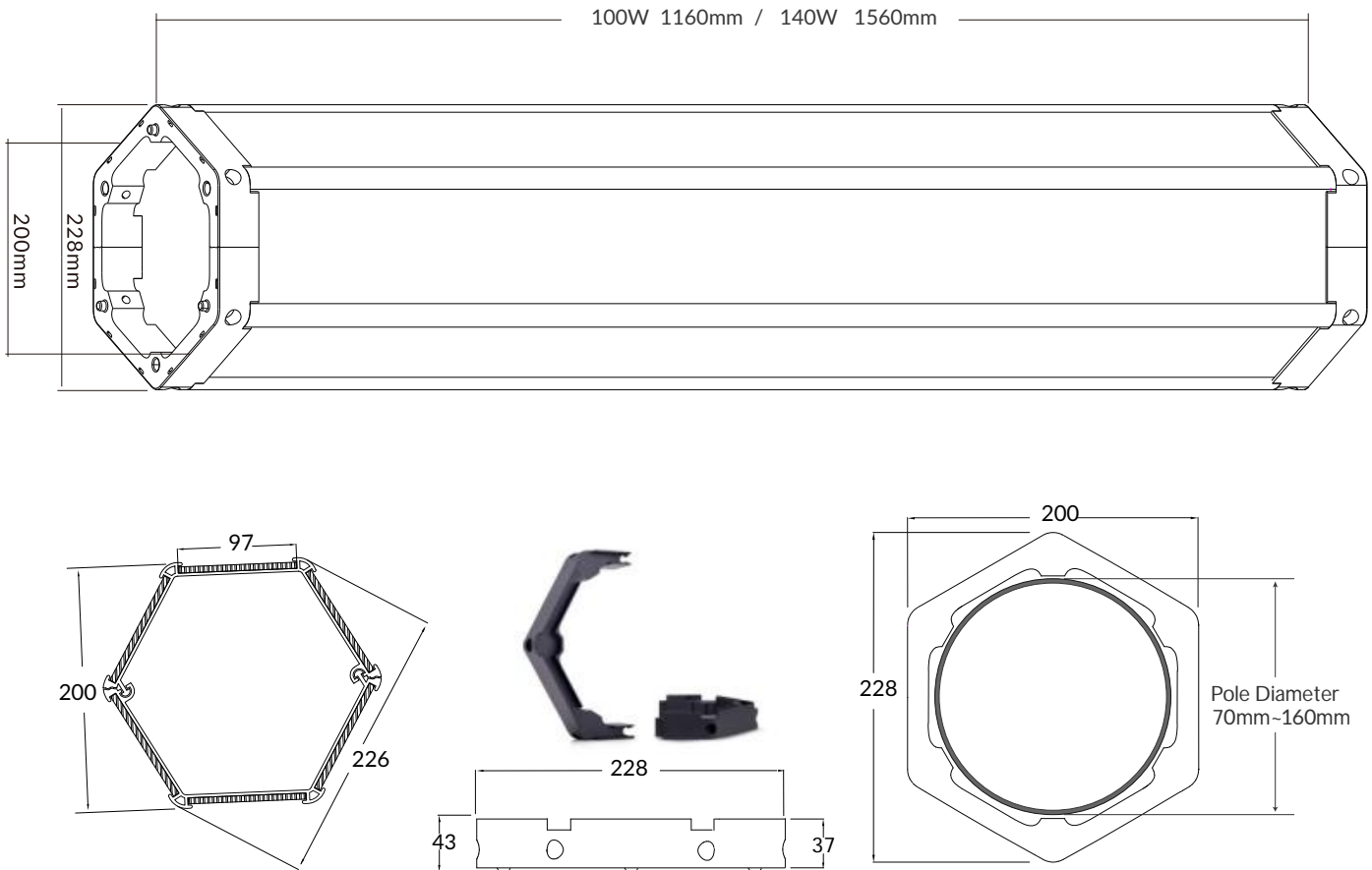


## PV Specification

Model number	<b>G100W</b>		<b>G140W</b>	
Pmax	100W		140W	
Vmp	18V	36V	18V	36V
Imp	5.56A	2.28A	7.78A	3.89A
Cell type	MONO in PERC made in Taiwan			
Material	Aluminium+tempered glass			
IP Rate	IP65			
Solar cell efficiency	>20.5%			
Cable type	2.5mm2 with MC4			
Operating temperature	-40 C ~ +80 C			
Warranty	5 years			
Life time	>20 years			
N. W	15.80kgs		26.80kgs	
G. W	17.50Kgs		27.80Kgs	



## PV Dimensions



# HELIOS

20|30|50 Watts Series

## Solar LED Street Light Head High lumens - Big Battery Backup Series



### Key Advantages

#### ALUMINIUM DIE CASTING FIXTURE

High quality of light fixture with powder coated and salty fog corrosion resistant, streamlined design appearance.

#### HIGH LUMENS

Adopt more LEDs less current driven LED board, achieving more than lumens up to 150lm/W output with good lighting performance.

#### INTEGRATED STRUCTURE DESIGN

LifePO4 battery and high quality MPPT charge controller are built inside of light head fixture combined as a complete unit with MC4 connectors to plug to solar panel. Simple and durable connection.

#### SIMPLE CONNECTION

MC4 male & female plugs directly to 18V solar panel. Quick and easy for connection. 2.5mm<sup>2</sup> power cord for less voltage drop.

#### LONG LIFETIME BATTERY

Adopting long time lithium battery, free of maintenance. Up to 2000 cycles with D.O.D. 100% performance,



## Product Specifications

LIGHT FIXTURE	EA-U20W	EA-U30W	EA-U50W
LED power	20W	30W	50W
Luminous flux	>2,800lm	>4,200lm	>6,200lm
SMD3030 1W	48Pcs	72Pcs	90Pcs
Pole height	5 ~ 6 meters	6 ~ 8 meters	6 ~ 10 meters
CCT range	4000K / 5700K (tolerance ±300K)		
CRI	>85		
Beam angle	140 *70 degrees		
Lens material	PMMA		
Fixture size	568*250*92MM		
Fixture material	aluminium die casting		
Fixture color	RAL 7045 (light gray)		
IP rate	IP67		
Motion sensor	Microwave sensor		
Installation size	φ60mm		
Connector & cable	2.5mm2 with MC4 connectors		
Working temp.	-20 C ~ +70 C		
Warranty	3 years		



BATTERY PACK			
Battery type	LifePO4		
Battery capacity	230WH 12.8V	307WH 12.8V	460WH 12.8V
Quality level	Brand new A Class		
Charge time	5 hours		
Discharge time	>24 hours		
Battery lifetime	2000 cycles		
D.O.D	100%		
Autonomy	2 ~ 3 days		
BMS	Built-in		
Over-DV	11.5V		
Over-DRV	12.8V		
Over-CV	14.6V		
Over-CRV	13.2V		



Paquete de baterías

SOLAR CHARGER			
Charge mode	MPPT		
System voltage	12V		
Ouput current	0.5A ~ 5A settable		
Efficiency	>98%		
Setting method	by remote control		
Installation method	built-in		
Operating temp.	-40 C ~ +80 C		
IP rate	IP68		
Solar cylinder module	140W 18V	200W 18V	280W 18V
Regular solar panel	60W 18V	80W 18V	100W 18V
Certificates	CE, ROHS, FCC, IP67, LM80, COC, IK10,LM79,SABER,CB		

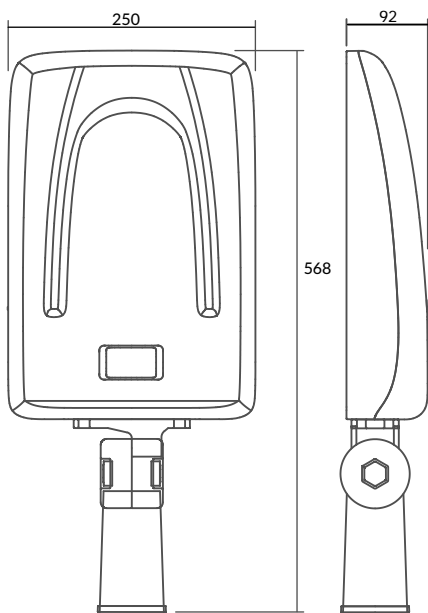


Controlador de carga solar MPPT + remoto

## Internal Structure

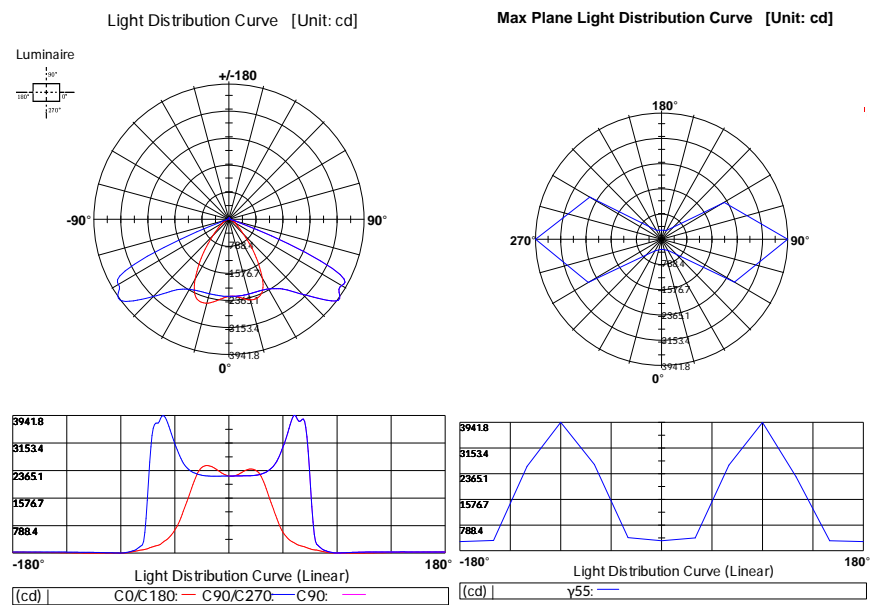


## Light Head Dimension



Unit: mm

## Light Performance





  
**SolarWrap**  
Vertical Solar LED Street Light 2019



EN CHILE.  
SINTEG. LTDA.  
Web. [www.sinteg.cl](http://www.sinteg.cl)