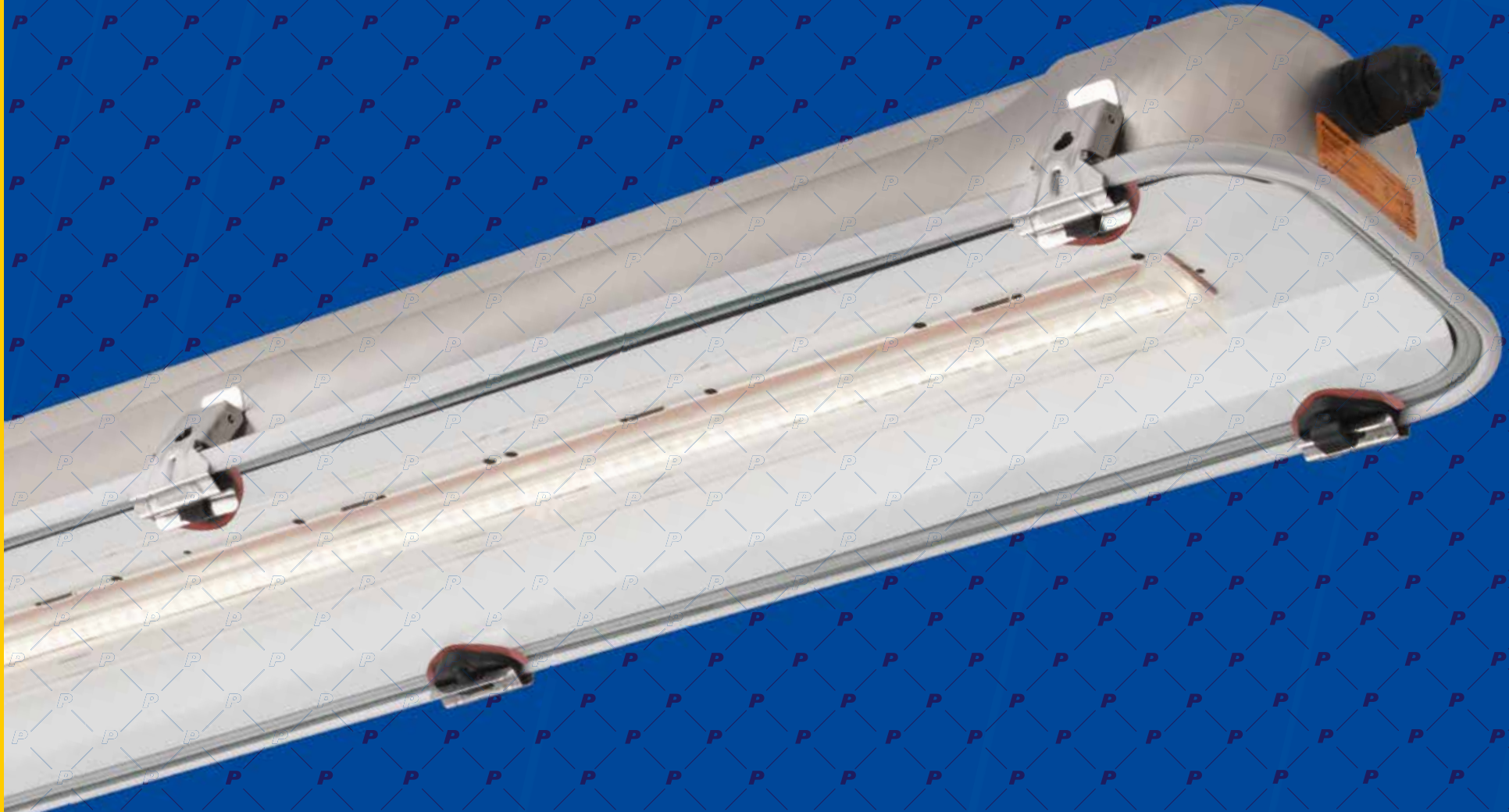


# RINO-EX

by Palazzoli

*Lighting to save*



excellence  
**FROM ITALY**

# Palazzoli

Representantes Sinteg / fono +56 229668227 / Email [Contacto@sinteg.d](mailto:Contacto@sinteg.d) / web [www.sinteg.d](http://www.sinteg.d)

# RINO-EX

## • Greater safety

The LED light fixture is ATEX certified by a third party for zone 2, 21, 22. It is equipped with a standard on-off driver, resinated and suitable for highly explosive environments.



## • Resistant and safe

The stainless steel casing and the special silicone seal guarantee high resistance to corrosion and aggressive atmospheres.

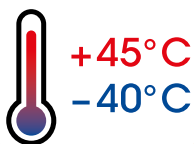


## • Excellent visual comfort

The comfort wide beam and narrow beam optics use specialist lenses with a glare index of UGR<22.



On request



## • Can be installed anywhere

The possibility of obtaining special solutions makes the light fixture suitable to be installed in any environment, even at very low temperatures of -40°C.

# Datasheet



	GAS			DUST		
<b>ZONE</b>	0	1	2	20	21	22
<b>USABLE</b>			X		X	X



Watertight LED light fixtures in AISI 304 stainless steel for applications in explosion hazardous areas as defined in ATEX 2014/34/EU Directive. The body is made of a single piece of AISI 304 stainless steel or galvanised steel, with no welded joints. The IP66 rating guaranteed by a reinforced gasket in anti-aging VMQ silicone elastomer, makes the RINO-EX light fixtures suitable for installations in environments with the presence of oxidising chemicals, salt solutions, acids and motor and vegetable oils. The diffuser in tempered glass is fixed to the body thanks to a system of AISI 304 stainless steel fixing hooks. The light fixture is equipped with M8 threaded eyebolts that are screwed to the body with no need to open the device. The light fixture is equipped with LED strips with 4000K colour temperature, CRI≥80 and anti-aging PMMA lenses able to guarantee a high visual comfort and an efficient control of the luminous flux with UGR<22. The light fixture is equipped with standard resinated on-off driver suitable for installations in potentially explosive environments. The protection against overvoltages, caused by lightnings or voltage surges, protects electronic components up to 6 kV. The light fixture is certified to withstand temperatures from -30 °C to +45 °C. The cable entry is made with an M20 technopolymer cable gland.

**ON REQUEST:** in addition to the systems with the codes presented in the brochure, all light fixtures can be requested by combining materials, optics and versions. Light fixtures with colour temperature of 3000K, 5000K, 6500K, with ambient temperature down to -40° C and with feed-through wiring, are also available.

The complete range of LED light fixtures for industrial, marine and ATEX applications can be consulted on the [www.palazzoli.com](http://www.palazzoli.com) website.

The photometric curves (LDT files) are available on [www.palazzoli.com](http://www.palazzoli.com) website.

Atex execution	<b>Ex II 3G 2D</b> <b>Ex ec mc IIC T6 Gc</b> <b>Ex ib IIIC T 80 °C Db</b>
Body material	<b>AISI 304 stainless steel</b> <b>Painted galvanised steel</b>
Surface treatment	<b>Non-toxic polyester resistant to weather conditions and UV rays</b>
Surface coating/colour	<b>RAL 9016 (painted galvanised steel version)</b>
Diffuser material	<b>Tempered glass</b>
Net weight	<b>690 mm light fixture: 3.4 kg; 1300 mm light fixture: 6.2 kg</b>
Protection rating	<b>IP66 as per IEC/EN 60079-0 and 60598-1</b>
Impact resistance	<b>IK09 as per IEC/EN 62262</b>
Mounting system	<b>Pair of eyebolts in AISI 304 stainless steel (code 820011)</b>
Optics features	<b>Anti-aging, UV-resistant PMMA lenses with &gt;90% efficiency and &gt;95% transparency</b>
Actual luminaire efficiency	<b>Up to 137 lm/W</b>
Colour temperature	<b>4000 K (on request: 3000 K; 5000 K; 6500 K)</b>
Colour rendering index values	<b>CRI ≥ 80 (good - according to EN 62717 criteria)</b>
Colour consistency	<b>MacAdam 3-step</b>
Photobiological risk	<b>RG0 - Exempt Group (EN 62471)</b>
Glare index	<b>UGR &lt; 22</b>
Residual flicker	<b>&lt; 3%</b>
Lifetime	<b>L80 B10 @50.000h Tq=25 °C</b>
Insulation class	<b>I</b>
Supply voltage	<b>220-240V Vac; 180-240V Vdc 0-50-60Hz</b>
Surge protection	<b>6kV common mode and differential mode (EN 61000-4-5)</b>
Power factor	<b>≥ 0.95</b>
Driving current	<b>500mA</b>
Ambient functioning temp.	<b>-30 °C - +45 °C; (-40 °C on request)</b> <b>0 °C - +35 °C (emergency versions)</b>
Power supply	<b>Spring clamps and M20 cable gland</b>
Max. conductor cross-section	<b>1÷2.5 mm<sup>2</sup></b>
Entry cable diameter	<b>10÷14 mm</b>
Emergency function	<b>1h - 3h</b>
Charging time emergency battery	<b>24 h</b>
Ambient storage temp.	<b>-40°C - +70 °C</b> <b>-30°C - +50°C (emergency versions)</b>
Warranty	<b>2 years with optional extension to 5</b>
Certification and approval marks	<b>EX, IECEx</b>
Directives	<b>2014/34/EU; 2014/35/EU; 2014/30/EU; 2011/65/EU</b>
Product standards	<b>EN 60079-0, EN 60079-7, EN 60079-18, EN 60079-31, EN 60598-1, EN 60598-2-1, EN 62471, EN 60598-2-22, EN 60598-2-24, EN 62493, IEC/TR 62778, EN 55015, EN 61547, EN 61000-3-2 EN 61000-3-3, EN 50581</b>

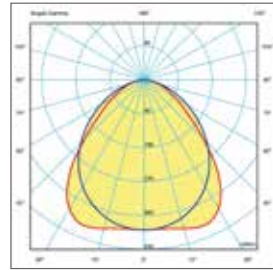


# AISI 304 stainless steel



**Glass**

50000h | up to 137 lm/W | UGR < 22 | with comfort 88° lens



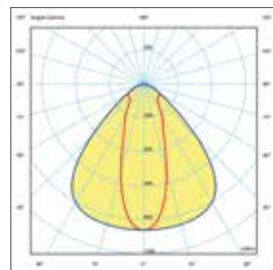
LED light fixtures in **stainless steel-glass** with **comfort 88°** extra wide beam optics **IP66**

EMERGENCY FLUX 1-3h		
Nominal flux (lm) Tj= 25 °C	Output flux (lm) Tq= 25 °C	Emergency output flux (lm) Tq= 25 °C
4100	3562	770
6133	5130	
8200	7072	940
11619	9429	

Device power (W)	Length (mm)	Nominal flux (lm) Tj= 25 °C	Output flux (lm) Tq= 25 °C	Correspondence to traditional lamps (W)	Version	Palazzoli code	Pack Qty
26	690	4100	3562	2x18 - T8	on-off as standard	<b>821192EX</b>	1
38	690	6133	5143	2x36 - T8		<b>821292EX</b>	1
52	1300	8200	7072	2x58 - T8		<b>821392EX</b>	1
71	1300	11619	9429	2x80 - T5		<b>821492EX</b>	1
26	690	4100	3562	2x18 - T8	emergency 1h	<b>821190EX</b>	1
38	690	6133	5143	2x36 - T8		<b>821290EX</b>	1
52	1300	8200	7072	2x58 - T8		<b>821390EX</b>	1
71	1300	11619	9429	2x80 - T5		<b>821490EX</b>	1
26	690	4100	3562	2x18 - T8	emergency 3h	<b>821193EX</b>	1
38	690	6133	5143	2x36 - T8		<b>821293EX</b>	1
52	1300	8200	7072	2x58 - T8		<b>821393EX</b>	1
71	1300	11619	9429	2x80 - T5		<b>821493EX</b>	1

Equipment included: pair of eyebolts in AISI 304 stainless steel for pendant mounting, code 820011.  
Notes: the stated values may be subject to a +/- 7% tolerance.

50000h | -30°C - +45°C | up to 127 lm/W | UGR < 22 | with 30°x90° lens



LED light fixtures in **stainless steel-glass** with **30°x 90°** narrow beam optics **IP66**

Device power (W)	Length (mm)	Nominal flux (lm) Tj= 25 °C	Output flux (lm) Tq= 25 °C	Correspondence to traditional lamps (W)	Version	Palazzoli code	Pack Qty
52	1300	8200	6500	2x58 - T8	on-off as standard	<b>820392EX</b>	1
71	1300	11619	8929	2x80 - T5		<b>820492EX</b>	1

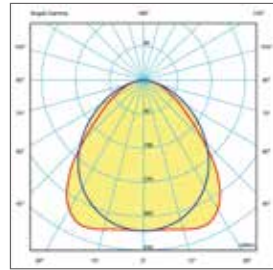
Equipment included: pair of eyebolts in AISI 304 stainless steel for pendant mounting, code 820011.  
Notes: the stated values may be subject to a +/- 7% tolerance.

# Painted galvanised



**Glass**

50000h | -30°C - +45°C | up to 137 lm/W | UGR < 22 | with comfort 88° lens

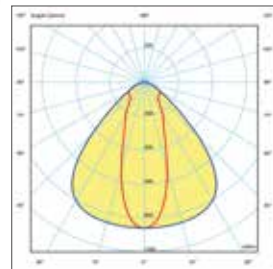


LED light fixtures  
in **painting galvanised steel-glass**  
with **88° comfort extra wide beam optics**  
**IP66**

Device power (W)	Length (mm)	Nominal flux (lm) Tj= 25 °C	Output flux (lm) Tq= 25 °C	Correspondence to traditional lamps (W)	Version	Palazzoli code	Pack Qty
26	690	4100	3562	2x18 - T8	on-off as standard	<b>841192EX</b>	1
38	690	6133	5143	2x36 - T8		<b>841292EX</b>	1
52	1300	8200	7072	2x58 - T8		<b>841392EX</b>	1
71	1300	11619	9429	2x80 - T5		<b>841492EX</b>	1

Equipment included: pair of eyebolts in AISI 304 stainless steel for pendant mounting, code 820011.  
Notes: the stated values may be subject to a +/- 7% tolerance.

50000h | -30°C - +45°C | up to 127 lm/W | UGR < 22 | with 30°x90° lens



LED light fixtures  
in **painting galvanised steel-glass**  
with **30°x 90° narrow beam optics**  
**IP66**

Device power (W)	Length (mm)	Nominal flux (lm) Tj= 25 °C	Output flux (lm) Tq= 25 °C	Correspondence to traditional lamps (W)	Version	Palazzoli code	Pack Qty
52	1300	8200	6500	2x58 - T8	on-off as standard	<b>840392EX</b>	1
71	1300	11619	8929	2x80 - T5		<b>840492EX</b>	1

Equipment included: pair of eyebolts in AISI 304 stainless steel for pendant mounting, code 820011.  
Notes: the stated values may be subject to a +/- 7% tolerance.

# Accessories



Adapting kit  
for ceiling mounting

Manufacturing material	Light fixture length (mm)	Distance between fixing holes (mm)		Palazzoli code	Pack Qty
		min.	max.		
AISI 304 stainless steel	690	100	1050	<b>820018</b>	1
	1300	650	1550		

**Note:** in case of relamping, the adapting kit allows to match the fixing distances of the light fixture to those already present in the system.



Quick fastening kit  
for ceiling mounting

Manufacturing material	Palazzoli code	Pack Qty
AISI 304 stainless steel	<b>820019</b>	1



Pair of adjustable supports for wall or ceiling mounting of steel light fixtures with screw connections

Manufacturing material	Palazzoli code	Pack Qty
AISI 304 stainless steel	<b>820010</b>	1



Pair of collars for mounting steel light fixtures on tube with screw connection

Manufacturing material	Palazzoli code	Pack Qty
AISI 304 stainless steel	<b>820016</b>	1



Pair of "V" brackets for ceiling mounting of steel light fixtures with screw connection

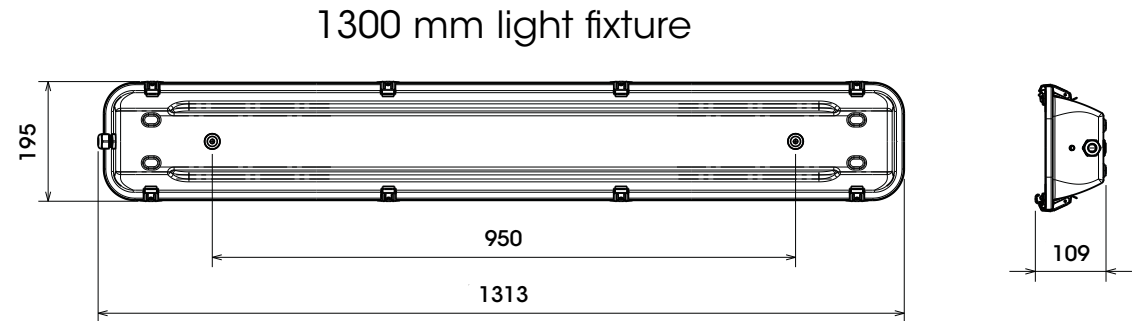
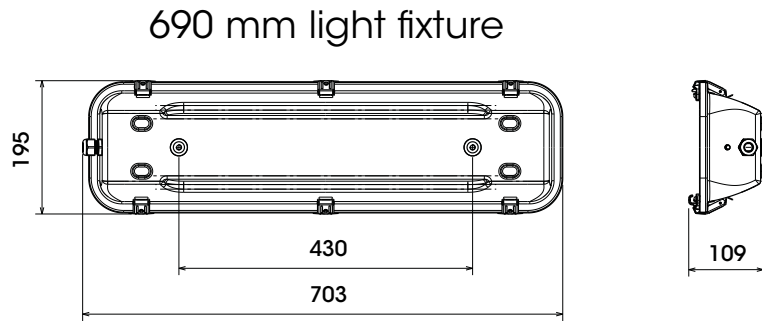
Manufacturing material	Palazzoli code	Pack Qty
AISI 304 stainless steel	<b>820017</b>	1



Pair of eyebolts for pendant mounting of steel light fixtures with screw connection

Manufacturing material	Palazzoli code	Pack Qty
AISI 304 stainless steel	<b>820011</b>	1

# Specification



# Certified Quality

IMQ



ATEX



IECEX



IMQ has certified that Palazzoli has a Manufacturing Quality System that complies with Annex VII of the Directive

Palazzoli products for explosive atmosphere applications are marketed worldwide.

# RINO-EX

by Palazzoli

*Lighting to save*

[palazzoli.com](http://palazzoli.com)

Palazzoli S.p.A. Via F. Palazzoli, 31 - 25128 Brescia - Italy  
Tel. +39 030 2015.1 - Fax +39 030 2015.258  
[export@palazzoli.com](mailto:export@palazzoli.com)

# Palazzoli