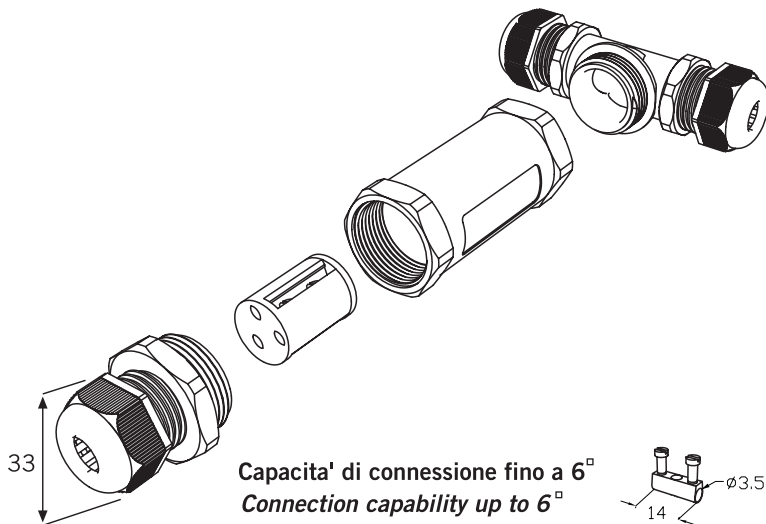




# TH402

PATENTED IP68

(2+2)(3+3)  
2-3  
Poli



Morsettiera coassiale ad elevato grado IP.  
Versione 2,3,(2+2) o (3+3) poli. Viti imperdibili.

Terminal block 2,3,(2+2) or (3+3) poles with high IP rate. Captive screw.

### Dati tecnici - Technical data

250-450V	4 °	IP68
PTI 250	T85° C	2 BAR

Poli - Poles	H05SS-F	Cavo - Wire
	Min.	Max.
2/3/3+3p	3G 1.5mm <sup>2</sup>	3G 4mm <sup>2</sup>

Coppia torsione Torque force	Tubo-Corpo pressacavo Tube-Cable gland body	Corpo pressacavo-Dado Cable gland body-Nut
2/3/3+3p	2.5 Nm ⌀ 29	2,5 Nm ⌀ 24

### Materie prime - Raw materials

#### Materia plastica - Plastics

PA66 UL94 V2 GWT 850°C  
PA66GF UL94 V0 GWT 960°C

■ Nero - Black

-20°C

+125°C

#### Gomme - Rubbers

Gommini - sealing inserts: TPE-V  
Guarnizioni - seals: SILICONE silicon

#### Bussole- Insert

M3



Acciaio zincato passivato  
Zinc plated steel

Ottone nichelato  
Nickel plated  
brass

Bussola cieca End barrier insert		1
Bussola STD STD insert		2
Bussola WP WP insert		3

### Norme - Standards

EN60529:1991+A1:2000-  
IP68:20MT-PROOF;60 MIN  
EN 60998-1:2004  
EN 60998-2-1:2004



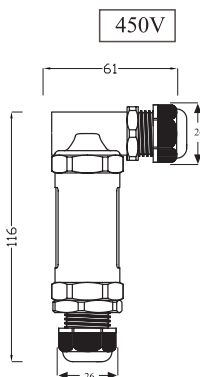
techno enhanced engineering



### Codice - Part number

T H B . 4 0 2 . X X X

Min-Max Ø cavo - cable Ⓢ Ⓢ Ø 5÷13,5 mm



2 poli  
poles



THB.402.B1B

THB.402.B2B

THB.402.B3B

3 poli  
poles



THB.402.B1A

THB.402.B2A

THB.402.B3A

2 poli  
poles



THB.402.C1B

THB.402.C2B

THB.402.C3B

3 poli  
poles

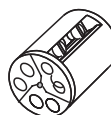


THB.402.C1A

THB.402.C2A

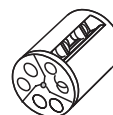
THB.402.C3A

2+2 poli  
poles



THB.402.C2C

3+3 poli  
poles



THB.402.C2E

## Kit di fornitura non assemblato THB Unassembled kit THB

<p><b>VERSIONE A "T" THB.402.CXX</b> "T" VERSION</p>	200 PZ	200 PZ	200 PZ	400 PZ	200 PZ
<p>Min-Max Ø cavo - cable Ⓢ Ⓢ Ø 5÷13,5 mm</p>		<p>Min-Max Ø cavo - cable Ⓢ Ⓢ Ø 5÷13,5 mm</p>		<p>Min-Max Ø cavo - cable Ⓢ Ⓢ Ø 5÷13,5 mm</p>	
<p><b>VERSIONE A "L" THZ.402.BXX</b> "L" VERSION</p>	200 PZ	200 PZ	200 PZ	400 PZ	200 PZ
<p>Min-Max Ø cavo - cable Ⓢ Ⓢ Ø 5÷13,5 mm</p>		<p>Min-Max Ø cavo - cable Ⓢ Ⓢ Ø 5÷13,5 mm</p>		<p>Min-Max Ø cavo - cable Ⓢ Ⓢ Ø 5÷13,5 mm</p>	

## Kit di fornitura assemblato THZ Assembled kit THZ

<p><b>THZ.402.CXX</b></p>	50 PZ
<p><b>THZ.402.BXX</b></p>	50 PZ

Cavo-Cable Ø5÷13,5

## Kit di fornitura imbustati THR Retail packed kit THR Please refer to THR Retail Catalogue

**THR.402.SXX**

1 CONF  
1 PZ

## Kit di fornitura con versionamenti e confezionamenti speciali THK Special custom packed version THK

**THK.402.XXX**