



Features

- Explosion proof, dust ignition proof and water tight.
- Stainless steel body and connectors at both ends in stainless steel.
- Heavy duty design to resist mechanical abuse.
- Custom lengths and thread pitches available.
- Degree of protection IP66



Application

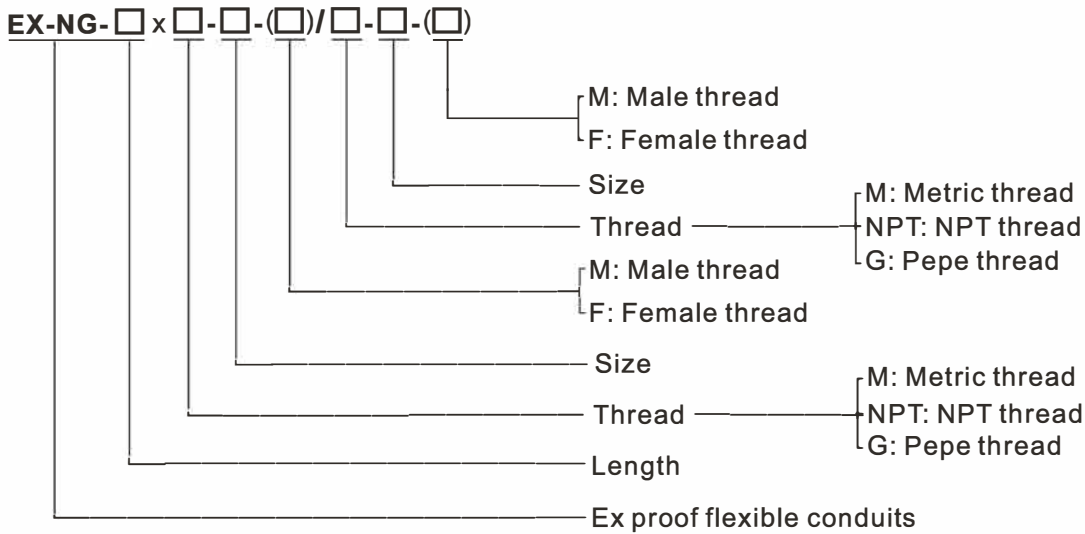
Zone	ATEX / IECEx					
	0	1	2	20	21	22
For use in		x	x		x	x

Division	UL1203					
	Class I		Class II		Class III	
	1	2	1	2	1	2
For use in	x	x	x	x	x	x

Technical Data

Marking ATEX	II2 G Ex d IIC T4/T5 Gb II2 D Ex tb IIIC T135°C Db IP66
Marking IECEx	Ex d IIC T4/T5 Gb Ex tb IIIC T135°C Db IP66
Marking UL1203	Class I, Division 1, Groups A, B, C, D Class I, Division 2, Groups A, B, C, D Class II, Division 1, Groups E, F, G Class II, Division 2, Groups F, G Class III
Standards	EN60079-0, EN60079-1, EN60079-31, IEC60079-0, IEC60079-1, IEC60079-31, UL1203, UL50
Ambient Temperature	-60°C to +80°C
Connection Thread	Metric thread is standard type. NPT or other threads are optional. The standard thread pitch of metric thread is 15mm. Other thread pitch can be customized. Please specify when ordering.
Type	F/F, M/F, M/M

Ordering Guide

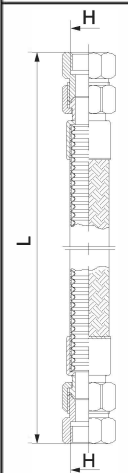


NG

Selection Table

Version	Internal Diameter (MM)	Pipe connector thread "H"		Length (MM)	Minimum Bending Radius (MM)
		Metric	NPT		
	15	M20	NPT 1/2"	700	80
	15	M20	NPT 1/2"	1000	80
	20	M25	NPT 3/4"	700	110
	20	M25	NPT 3/4"	1000	110
	25	M32	NPT 1"	700	145
	25	M32	NPT 1"	1000	145
	32	M40	NPT 1 1/4"	700	180
	32	M40	NPT 1 1/4"	1000	180
	40	M50	NPT 1 1/2"	700	210
	40	M50	NPT 1 1/2"	1000	210
	50	M63	NPT 2"	700	250
	50	M63	NPT 2"	1000	250
	15	M20	NPT 1 1/2"	700	80
	15	M20	NPT 1 1/2"	1000	80
	20	M25	NPT 3/4"	700	110
	20	M25	NPT 3/4"	1000	110
	25	M32	NPT 1"	700	145
	25	M32	NPT 1"	1000	145
	32	M40	NPT 1 1/4"	700	180
	32	M40	NPT 1 1/4"	1000	180
	40	M50	NPT 1 1/2"	700	210
	40	M50	NPT 1 1/2"	1000	210
	50	M63	NPT 2"	700	250
	50	M63	NPT 2"	1000	250

Selection Table

Version	Internal Diameter (MM)	Pipe connector thread "H"		Length (MM)	Minimum Bending Radius (MM)
		Metric	NPT		
	15	M20	NPT 1 1/2"	700	80
	15	M20	NPT 1 1/2"	1000	80
	20	M25	NPT 3/4"	700	110
	20	M25	NPT 3/4"	1000	110
	25	M32	NPT 1"	700	145
	25	M32	NPT 1"	1000	145
	32	M40	NPT 1 1/4"	700	180
	32	M40	NPT 1 1/4"	1000	180
	40	M50	NPT 1 1/2"	700	210
	40	M50	NPT 1 1/2"	1000	210
	50	M63	NPT 2"	700	250
	50	M63	NPT 2"	1000	250

Note: The lengths of flexible conduits can be customized. Please specify when ordering.