



EVERY INDUSTRY

LED EXPLOSION PROOF LIGHT EXPERT



Series J

Rated Power: 1-10W

Input: 100-277VAC/12-36DVC

Ratings and protection level

INGRESS PROTECTION: IP66
UL844/UL1598/UL1598A
Class I Div.1, Groups C, D
Class I Div.2, Groups A, B, C, D
Class II Div.1, Groups E, F, G
Class II Div.2, Groups F, G
Class III





Explosion Proof

LED Exit Light



Explosion Protection

Marking UL844 (North American)	Class I, Division 1, Groups C, D Class I, Division 2, Groups A, B, C, D Class II, Division 1, Groups E, F, G Class II, Division 2, Groups F, G Class III
Marking Marine	UL 1598A
Other Rating	IP 66

Materials

- ★ Housing: Die-casting aluminum
- ★ Indicator: Tempered glass
- ★ Bolts: Stainless steel
- ★ Mounting Sling: Stainless steel

Applications

Emergency exits in hazardous locations.

Basic Data

Part Number	Wattage	CCT	Voltage Options	Warranty	Emergency Time (Option)
EX-1W JYZDA	1	2700-7000K	AC: 100-277V AC/DC: 12-36V	5 years	3 hours
EX-3W JYZDA	3				
EX-7W JYZDA	7				
EX-10W JYZDA	10				

“J”= Product code; “Y”= Dimmable or Non-dimmable, non dimmable for model V; “Z”=CCT, from 2700K-7000K; “D”= Beam angle, no angle for model V; “A”= Glass type, no glass type for model V.

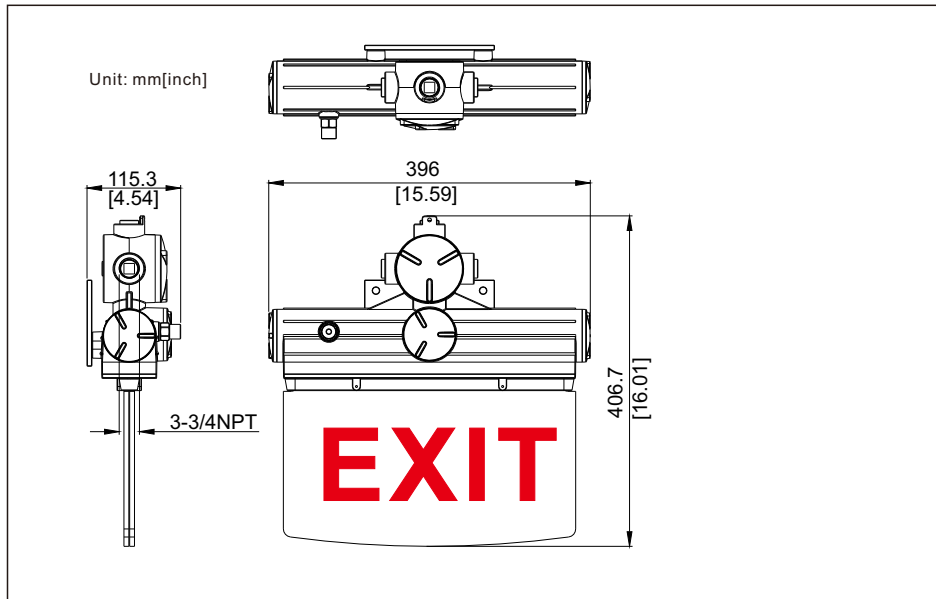
Key Features

- High durability and reliability.
- Stainless steel exposed fasteners with high corrosion resistance.
- Integrated junction box for driver with emergency back up.
- Fully electrical circuit control.
- Label content customizable.
- Low working wattage for energy saving.
- High leakproofness up to IP66.
- 3/4 " or M25 NPT conduit hubs.

Value-Added Features

- 10kv surge protection.
- Emergency time can be 180 minutes.
- Customized motion sensor (Option).
- Long lifespan up to 50,000 hours.

Mechanical Structure



Installation Manual

WARNING

READ INSTRUCTIONS CAREFULLY BEFORE INSTALLING. KEEP THIS INSTRUCTIONS FOR FUTURE REFERENCE.

Fixtures must be wired in accordance with the National electrical code and all applicable local codes. Proper grounding is required for safety.

THIS PRODUCT MUST BE INSTALLED IN ACCORDANCE WITH THE APPLICABLE INSTALLATION CODE BY QUALIFIED ELECTRICIAN WHO IS FAMILIAR WITH THE CONSTRUCTION AND OPERATION OF THE PRODUCT AND THE HAZARDOUS INVOLVED.

Warning: Risk of fire or electric shock. Exit light installation requires knowledge of luminaires and electrical systems. DO NOT open the enclosure when energized. DO NOT try to install if not qualified. Please contact a professional electrician.

Warning: Risk of fire or electric shock. Suitable for wet locations. Make sure the power is off prior to installation.

Warning: Risk of fire or electric shock. Suitable for non-insulated surface and frame. DO NOT cover fixture with insulation liner or similar material.

Warning: DO NOT install in unstable, loose or breakable surfaces.

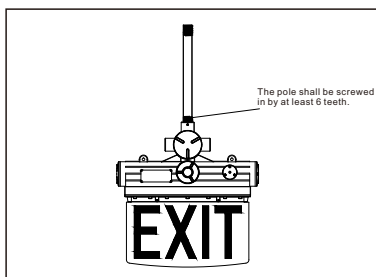
Warning: DO NOT let objects impact or exert force on the surface of the fixture.

Pole Mounting



WARNING

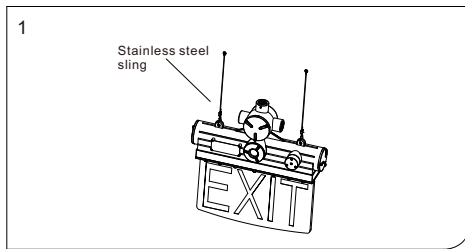
Risk of fire, Electric shock or personal injury
Please turn off power before installation!



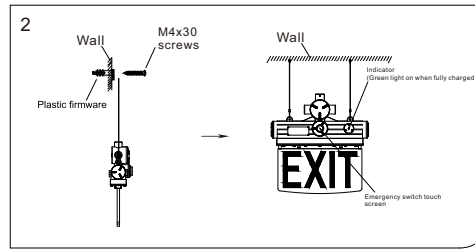
Take the fixture and accessory out of the carton box. Then fix the pole on the junction box of the fixture.

Series J Specification

Pendant Mounting

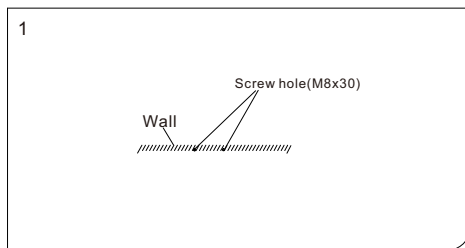


1. Take the fixture and accessories out from carton box, and tie the stainless steel slings on the fixture as Fig. 1.

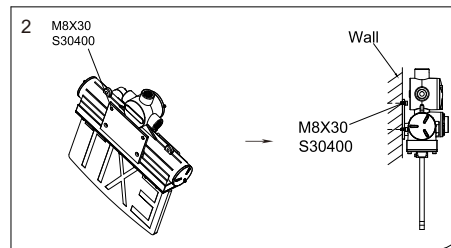


2. Drill 2x holes on the wall as fig.2. Fix 2 plastic firmwares into the holes. Then fix 2 screws(M4x30) with the fixture into the holes.

Wall Mounting



1. Take the fixture and accessories out from carton box, and drill 2 holes as the same size as the screw M8x30 shown in fig. 1.



2. Fix 2 screws(M8x30) with the fixture into the holes. Then connect the wires.

Packing Information

Model	Quantity/ Ctn	Length(cm)	Width (cm)	Height(cm)	Net weight(kg)	Gross weight (kg)
J	2	47	47	26	6	14

Accessories



- Model: Ex-Junction01
Name: Junction Box
Material: Aircraft Aluminum A383



- Model: EX-SPipe
Name: Winding Swing Pipe
Material: Iron with Powder Coating



- Model Name: Wall mounting plate
Material: Iron with Powder Coating