



LED EXPLOSION PROOF LIGHT EXPERT



Series 0

EVERY INDUSTRY LLC
www.everyindustry.com





Explosion Proof

LED High Bay/ Low Bay/ Flood Light/ Wall Pack



Explosion Protection

Marking ATEX	II3 G Ex nR IIC T5/T6 Gc II2 D Ex op is tb IIIC T95°C/ T80°C Db IP 66
Marking IECEx	Ex nR IIC T5/T6 Gc Ex op is tb IIIC T95°C/ T80°C Db IP 66
Other Rating	IP 66 IK 10

Applications

Oil and Gas industry

- ★ All petroleum production and refining
- ★ Petroleum loading and transportation
- ★ Petroleum storage and retail
- ★ LNG industry
- ★ All mining operations and service

Chemical industry

- ★ All types of painting facilities
- ★ Chemical production and storage

Ocean, marine and aerospace field

- ★ Ocean platform operation facilities and structure
- ★ Aerospace clean room and production
- ★ Ocean vessel operations

Metal treatment

- ★ Steel and aluminum factories
- ★ Pumping stations in any environment
- ★ Metal smelting, foundry, manufacturing

Food and alcohol industry

- ★ Flour and fine particle production and storage
- ★ Food and distilling production
- ★ Alcohol industry

Other high humidity, high dust, high temperature, vapor locations

Materials

- ★ Housing: PC (Grey)
- ★ Diffuser: Tempered Glass (Clear/ Frosted)
- ★ Hardware: Stainless steel
- ★ Mounting Bracket: Stainless steel

Basic Data

Part Number	Wattage	CCT	Voltage Option	Lumens	Warranty	CRI
Ex- 10W OYZDA	10	4000K-5700K	AC100-277VAC □ AC200-480VAC □ DC12/24/36VAC □	1400	5 Years	70+
Ex- 15W OYZDA	15			2100		
Ex- 20W OYZDA	20			2800		
Ex- 30W OYZDA	30			4200		
Ex- 40W OYZDA	40			5600		

“O”= Product Code; “Y”= D or N: Dimmable or non-dimmable; “Z”= CCT, from 4000-5700K; “D”= Beam Angle, D40 for 40°, D60 for 60°, D90 for 90°, D120 for 120°

A for glass info., Blank for flat glass, C for spherical glass/ PC for special order.

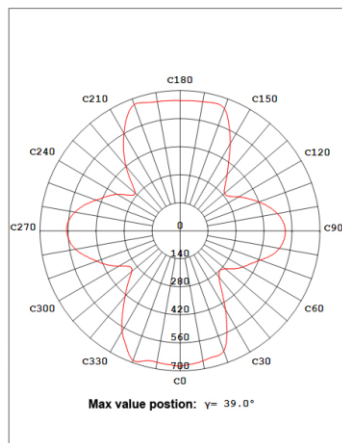
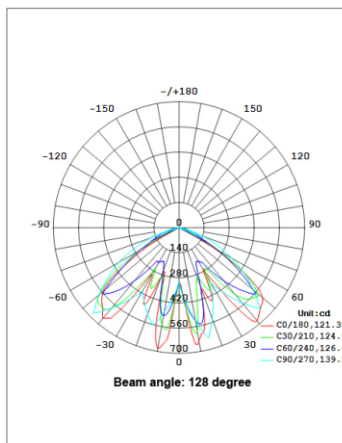
Key Features

- High quality SMT LED and Meanwell Driver.
- Light-weight designed by aircraft aluminum.
- Three connection cable entry points.
- Replaceable LED board and drivers.
- Dimmable function available.
- Marine rating powder coated appearance treatment.

Value-Added Features

- Protective cage to guard tunnel light against potential damage.
- Durable low maintenance perfect for workshop, Tunnels, factories.
- Glass-enclosed bulb with metal cage.
- Working temperature can be more than 85°C.
- Various installation ways for different applications.
- Durable low maintenance cost perfect for workshop, Tunnels, factories.
- "Made in USA" is applicable option for customer.
- Customized motion sensor
- Advanced smart system options- Wifi & Bluetooth

Lighting Distribution



40W/120D

	Center Beam fc	Beam Width	
17ft	14fc	51ft	51ft
34ft	3fc	103ft	101ft
51ft	2fc	154ft	153ft
68ft	0.8fc	256ft	255ft
85ft	0.6fc	307ft	306ft

■ Vert, Spread; 120°
■ Horiz, Spread; 120°

Installation Manual

WARNING

READ THIS INSTRUCTION CAREFULLY BEFORE INSTALLING. KEEP THIS INSTRUCTION FOR FUTURE REFERENCE.

FIXTURES MUST BE INSTALLED IN ACCORDANCE WITH THE APPLICABLE INSTALLATION CODE BY A QUALIFIED ELECTRICIAN WHO IS FAMILIAR WITH THE CONSTRUCTION AND OPERATION OF THE PRODUCT AND THE HAZARDS INVOLVED.

WARNING: RISK OF FIRE OR ELECTRIC SHOCK. HIGH BAY LIGHT INSTALLATION REQUIRES KNOWLEDGE OF LUMINAIRES AND ELECTRICAL SYSTEMS. IF NOT QUALIFIED, DO NOT TRY TO INSTALL. PLEASE CONTACT AN QUALIFIED ELECTRICIAN.

WARNING: RISK OF FIRE OR ELECTRIC SHOCK. SUITABLE FOR WET LOCATIONS. MAKE SURE THE POWER IS OFF PRIOR TO INSTALL.

WARNING: RISK OF FIRE OR ELECTRIC SHOCK. SUITABLE FOR NON-INSULATED SURFACE AND FRAME. DO NOT COVER FIXTURE WITH INSULATION LINER OR SIMILAR MATERIAL.

WARNING: DO NOT INSTALL IN UNSTABLE, LOOSE OR BREAKABLE SURFACES.

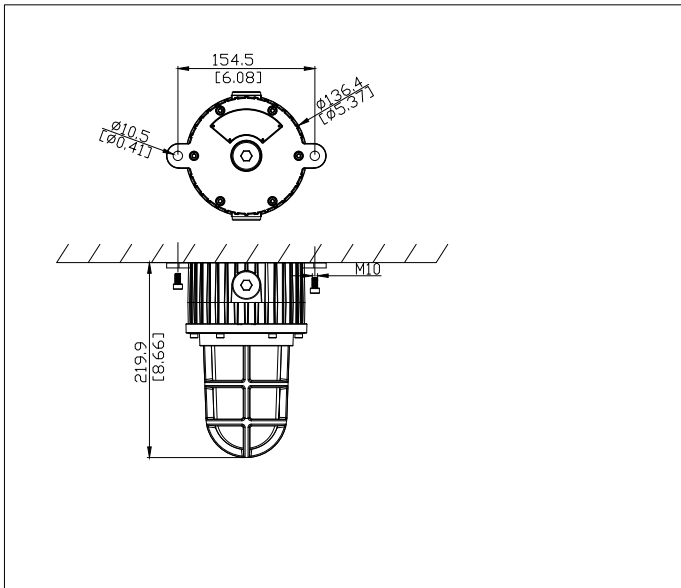
WARNING: DO NOT LET OBJECTS IMPACT OR EXERT FORCE ON THE SURFACE OF THE FIXTURE.



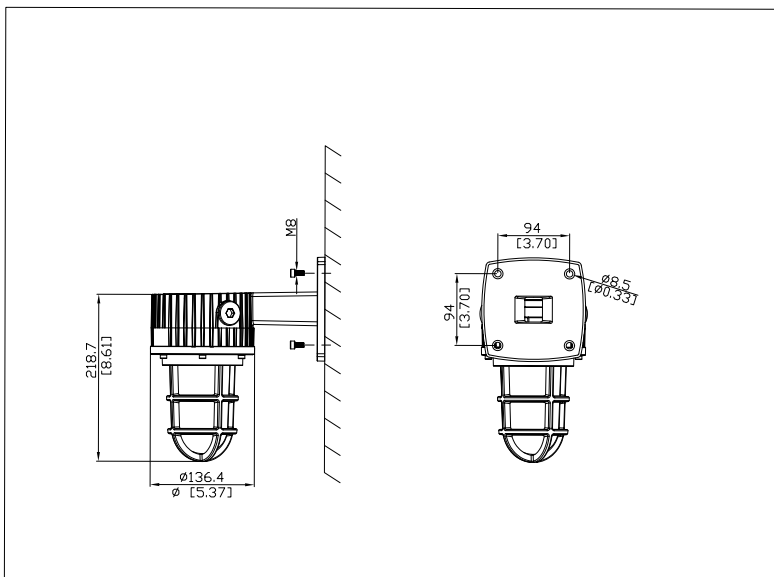
WARNING

RISK OF FIRE, ELECTRIC SHOCK OR PERSONAL INJURY
Before installation, turn power off.

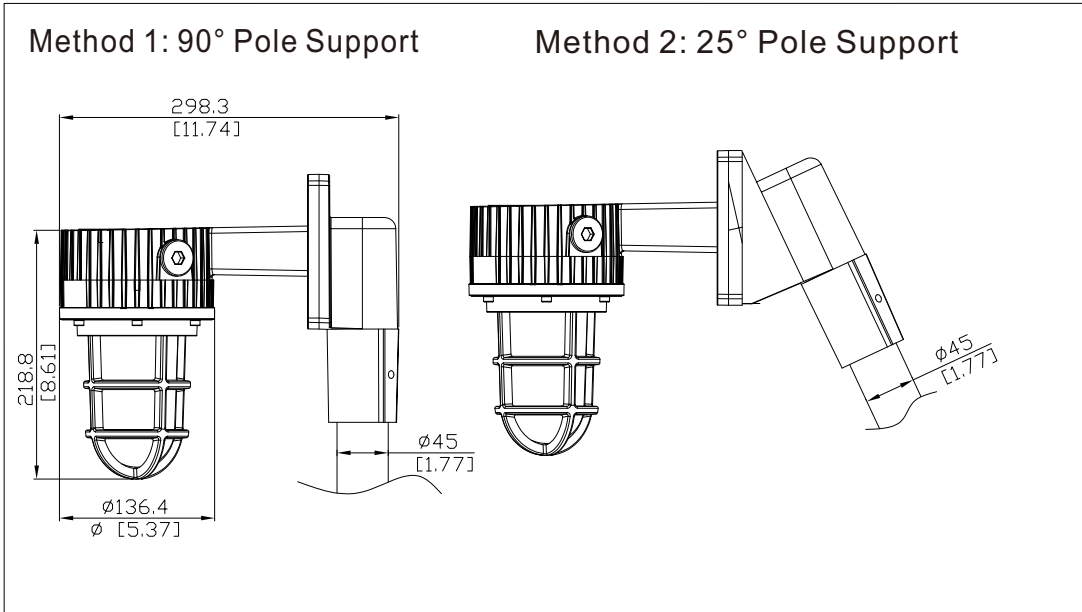
Ceiling Mounting



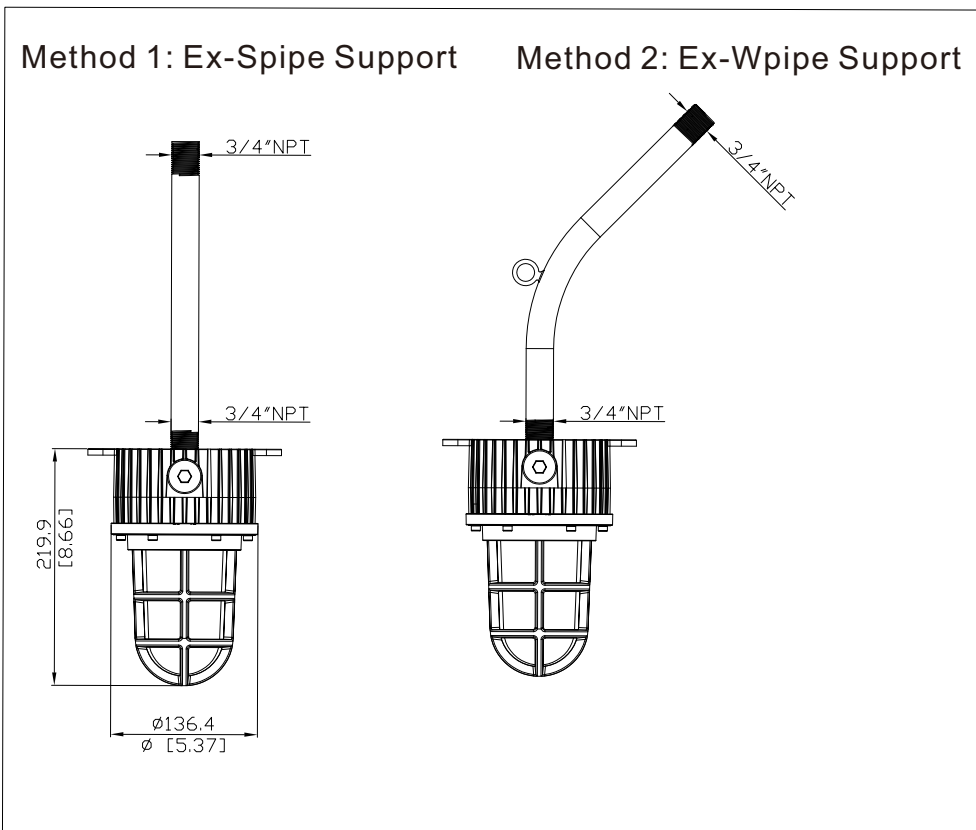
Wall Mounting



Pole Mounting



Hook Mounting



Packing Information

O series	Quantity/Ctn	Length (cm)	Width	High(cm)	Net weight (kg)	Gross weight (kg)
	1	38	26.5	25.5	4.65	5.4

Accessories



- Model: Ex-Junction01
Name: Junction Box
Material: Aircraft Aluminum A383



- Model: EX-Hook
Name: Installation Hook
Material: Aircraft Aluminum A383



- Model: Ex-Conduit01
Name: Metal Conduit
Material: Stainless Steel and Aluminum



- Model: EX-WPipe
Name: Winding Swing Pipe
Material: Iron with Powder Coating



- Model: EX-SPipe
Name: Winding Swing Pipe
Material: Iron with Powder Coating



- Model: Ex-D01
Name: Pendant Direction Adapter
Material: Aircraft Aluminum A383



- Model: EX-MArm
Name: Surface Mounting Arm
Material: Aircraft Aluminum A383



- Model: EX-25PSupport
Name: 25 Degree Pole Support
Material: Aircraft Aluminum A383



- Model: EX-90PSupport
Name: 90 Degree Pole Support
Material: Aircraft Aluminum A383



- Model: Ex-90JSupport
Name: 90° Arm to Junction box
Material: Aircraft Aluminum A383



- Model: Ex-25JSupport
Name: 25° Arm to Junction box
Material: Aircraft Aluminum A383



- Model: Ex-DArm
Name: Direct Mounting Arm
Material: Aircraft Aluminum A383



- Model: Ex-Chain
Name: Pendant Chain
Material: Stainless Steel S30400