



LED EXPLOSION PROOF LIGHT EXPERT



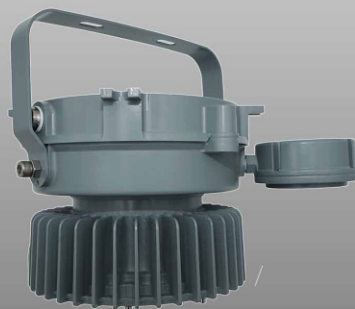
Series Q
Rated Power: 20-200W
Input: 100-277/200-480V

Ratings and protection level

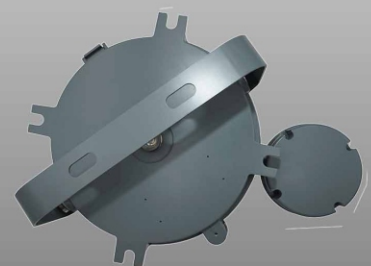
INGRESS PROTECTION: IP66

Zone 21

Zone 2/22



Motion sensor available



0 ~180 degree adustable

EVERY INDUSTRY LLC
www.everyindustry.com



Model Q Specification



Explosion Proof

LED High Bay/Low Bay/Flood Light/Wall Pack



Materials

- ★ Housing: Copper free aluminum
- ★ Diffuser: Tempered glass
- ★ Bolts: Stainless steel
- ★ Mounting Bracket: Stainless steel

Basic Data

Part Number	Wattage	CCT	Voltage Options	Lumens	Warranty	CRI	Emergency Time
EX-20W Q1YZDA	20	4000K-5700K	AC: 100-277V <input type="checkbox"/> AC: 200-480V <input type="checkbox"/> DC: 12-36V <input type="checkbox"/>	2800	5 years	70+	3 hours
EX-40W Q1YZDA	40			5600			
EX-60W Q1YZDA	60			8400			
EX-80W Q1YZDA	80			11200			
EX-100W Q2YZDA	100			14000			
EX-150W Q2YZDA	150			21000			
EX-200W Q2YZDA	200			28000			

Explosion Protection

Marking ATEX	II2 G Ex nR IIC T5/T6 Gc II2 D Ex op is tb IIIC T95°C/T80°C Db IP66
Marking IECEx	Ex nR IIC T5/T6 Gc Ex op is tb IIIC T95°C/80°C Db IP66
Marine Marking	ABS and DNV Type Approved
Other Rating	IP 66 IK 10

Applications

Oil and Gas industry

- ★ All petroleum production and refining
- ★ Petroleum loading and transportation
- ★ Petroleum storage and retail
- ★ LNG industry
- ★ All mining operations and service

Chemical industry

- ★ All types of painting facilities
- ★ Chemical production and storage

Ocean, marine and aerospace field

- ★ Ocean platform operation facilities and structure
- ★ Aerospace clean room and production
- ★ Ocean vessel operations

Metal treatment

- ★ Steel and aluminum factories
- ★ Pumping stations in any environment
- ★ Metal smelting, foundry and manufacturing

Food and alcohol industry

- ★ Flour and fine particle production and storage
- ★ Food and distilling production
- ★ Alcohol industry

Other high humidity, dust, high temperature, vapor locations

“Q1, Q2”=Product code “Y”=D or N:Dimmable or Non-dimmable “Z”=CCT, from 4000~5700K “D”=Beam angle, D40 for 40° ,D60 for 60° ,D90 for 90° , D120 for 120° A for glass info, blank for flat glass, C for spherical glass.

Key Features

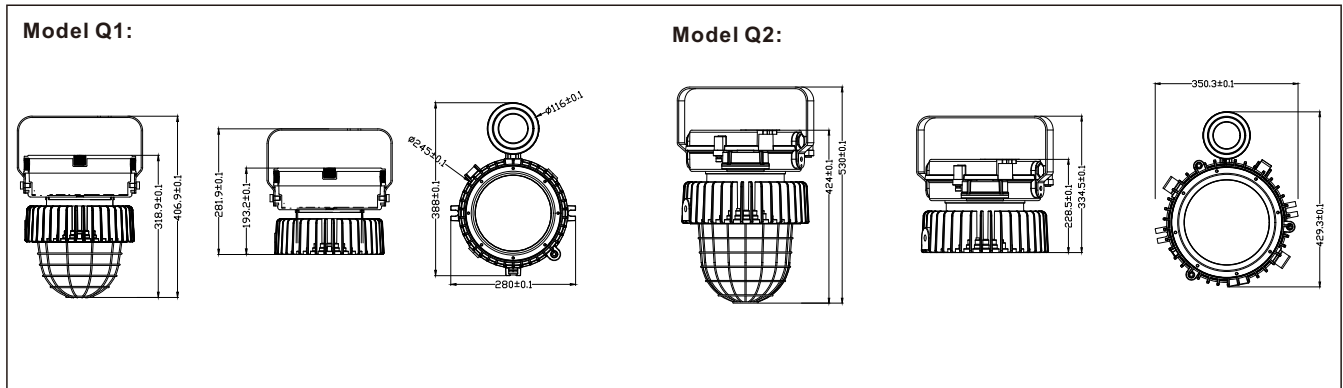
- PIR Motion sensor
- Dimmable and battery back up function available.
- Heavy-duty and high impact resistance.
- Three connection cable entry points.
- Replaceable LED board and drivers.
- High quality SMT LED and Meanwell Driver.
- Integrated junction box for driver with emergency back up.
- Marine rating powder coated appearance treatment.

Value-Added Features

- 10kv surge protection.
- Up to ten years limited warranty option.
- Emergency Battery back up.
- Working temperature can be more than 85°C.
- Various installation ways for different applications.
- Glass lens or Glass with polycarbonate lens to make wider beam angle.
- Customized motion sensor
- Advanced smart system options: WIFI & BLUE-TOOTH

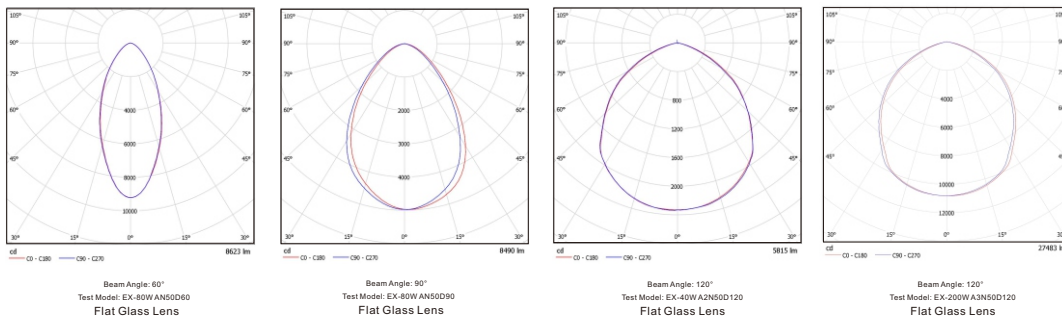
Mechanical Structure

Unit: mm



This structure type with bracket and optical lens to generate 40°, 60°, 90° and 120° light distribution.

Lighting Distribution



Installation Manual

READ INSTRUCTIONS CAREFULLY BEFORE INSTALLING. KEEP THIS INSTRUCTIONS FOR FUTURE REFERENCE.

Fixtures must be wired in accordance with the National electrical code and all applicable local codes. Proper grounding is required for safety.

THIS PRODUCT MUST BE INSTALLED IN ACCORDANCE WITH THE APPLICABLE INSTALLATION CODE BY A QUALIFIED ELECTRICIAN WHO IS FAMILIAR WITH THE CONSTRUCTION AND OPERATION OF THE PRODUCT AND THE HAZARDS INVOLVED.

Warning: Risk of fire or electric shock. High bay Light installation requires knowledge of luminaires and electrical systems. If not qualified, DO NOT try to install. Please contact an electrician.

Warning: Risk of fire or electric shock. Suitable for wet locations. Make sure the power is off prior to installation.

Warning: Risk of fire or electric shock. Suitable for non-insulated surface and frame. DO NOT cover fixture with insulation liner or similar material.

Warning: DO NOT install in unstable, loose or breakable surfaces.

Warning: DO NOT let objects impact or exert force on the surface of the fixture.

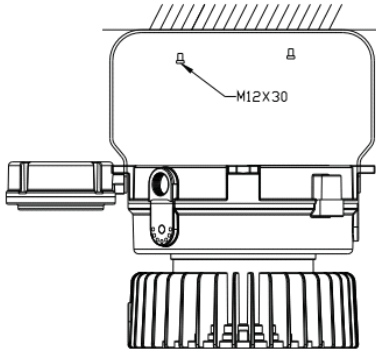
Warning: DO NOT open the enclosure.

Bracket Mounting



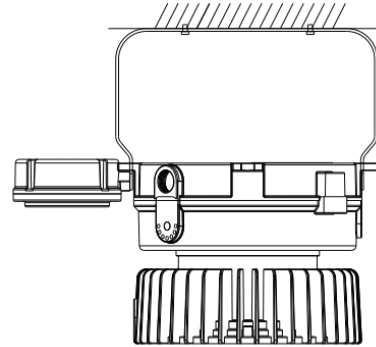
⚠ WARNING
 Risk of fire, Electric shock or personal injury
 Please turn off power before installation!

1



Step 1: Drill 2x Ø12mm holes for expanded screws, the distance between 83mm to 110mm, tighten the nuts fixing the fixtures.

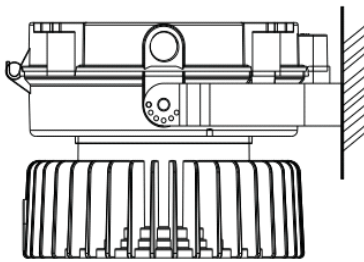
2



Step 2: Contact the wire to power supply circuit, green and yellow to grounding, white to null wire, black to live wire.

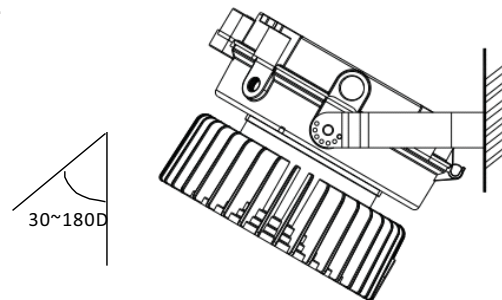
Wall Mounting

1



Step 1: Drill 2x Ø12mm holes for expanded screws, the distance between 83mm to 110mm, tighten the nuts fixing the fixtures.

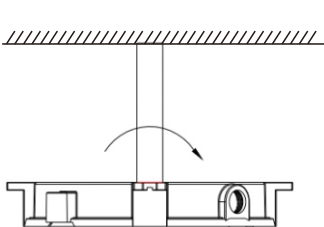
2



Step 2: Contact the wire to power supply circuit, green and yellow to grounding, white to null wire, black to live wire. Finally, adjust 30, 60, 90, 120, 150 and 180 degree of the lamp.

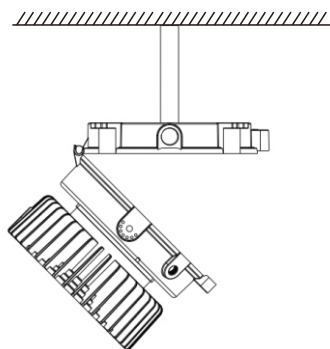
Surface Mounting

1



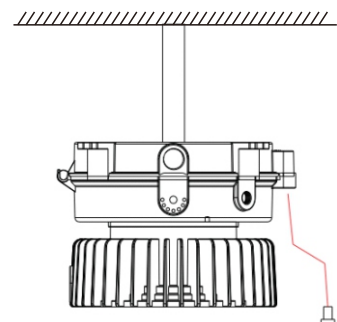
Step 1: Drill 4x Ø12mm holes for expanded screws, the distance between 83mm to 110mm, tighten the nuts fixing the nuts fixing the power enclosure.

2



Step 2: Hang the lamp housing to the hook, contact the power supply circuit, green and yellow to grounding, white to null wire, black to live wire. There shall be some measure to be provided to avoid a force to the hinge when installation, such as a support by hand.

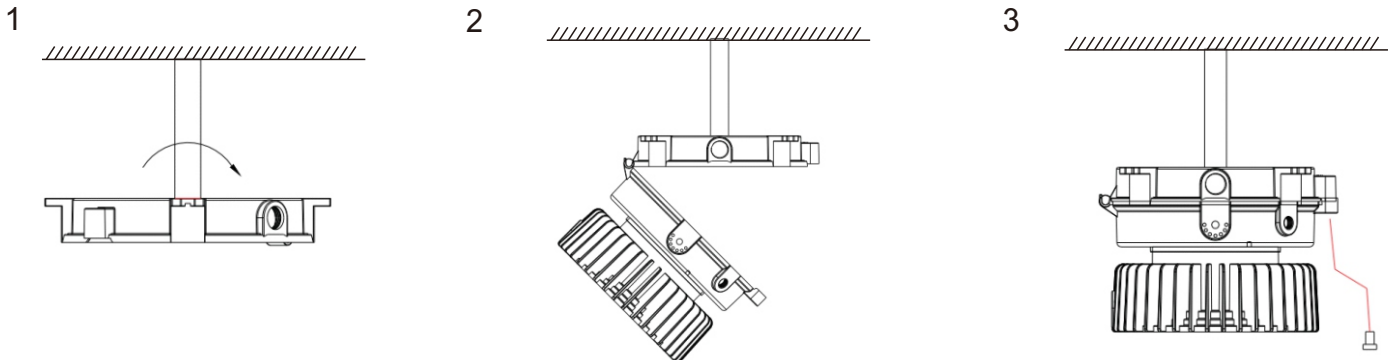
3



Step 3: Close the power enclosure and tighten M8 × 25mm screw. Turn on the power to test the lamp is work.

Model Q Specification

Wall Mounting



Step 1: Match the entry to the pendent pipe. (The pipe need to tight as least 5 thread teethes)

Step 2: Hang the lamp housing to the hook, contact the power supply circuit, green and yellow to grounding, white to null wire, black to live wire. There shall be some measure to be provided to avoid a force to the hinge when installation, such as a support by hand.

Step 2: Close the power enclose and tighten M8 × 25mm screw. Turn on the power to test the lamp is work.

Packing Information

Model	Quantity/Ctn	Length(cm)	Width (cm)	Height(cm)	Net(Kg)	Gross(Kg)
Q1	1	89	59	44	12	14
Q2	1	94	84	54	18.5	21.5

Accessories



- Model: Ex-Junction01
Name: Junction Box
Material: Aircraft Aluminum A383



- Model: EX-Hook
Name: Installation Hook
Material: Aircraft Aluminum A383



- Model: Ex-Conduit01
Name: Metal Conduit
Material: Stainless Steel and Aluminum



- Model: EX-WPipe
Name: Winding Swing Pipe
Material: Iron with Power Coating



- Model: EX-SPipe
Name: Winding Swing Pipe
Material: Iron with Power Coating



- Model: Ex-D01
Name: Pendant Direction Adapter
Material: Aircraft Aluminum A383



- Model: EX-MArm
Name: Surface Mounting Arm
Material: Aircraft Aluminum A383



- Model: EX-25PSupport
Name: 25 Degree Pole Support
Material: Aircraft Aluminum A383



- Model: EX-90PSupport
Name: 90 Degree Pole Support
Material: Aircraft Aluminum A383



- Model: Ex-90JSupport
Name: 90° Arm to Junction box
Material: Aircraft Aluminum A383



- Model: Ex-25JSupport
Name: 25° Arm to Junction box
Material: Aircraft Aluminum A383



- Model: Ex-DArm
Name: Direct Mounting Arm
Material: Aircraft Aluminum A383



- Model: Ex-PCH
Name: Pendant Chain
Material: Stainless Steel S30400