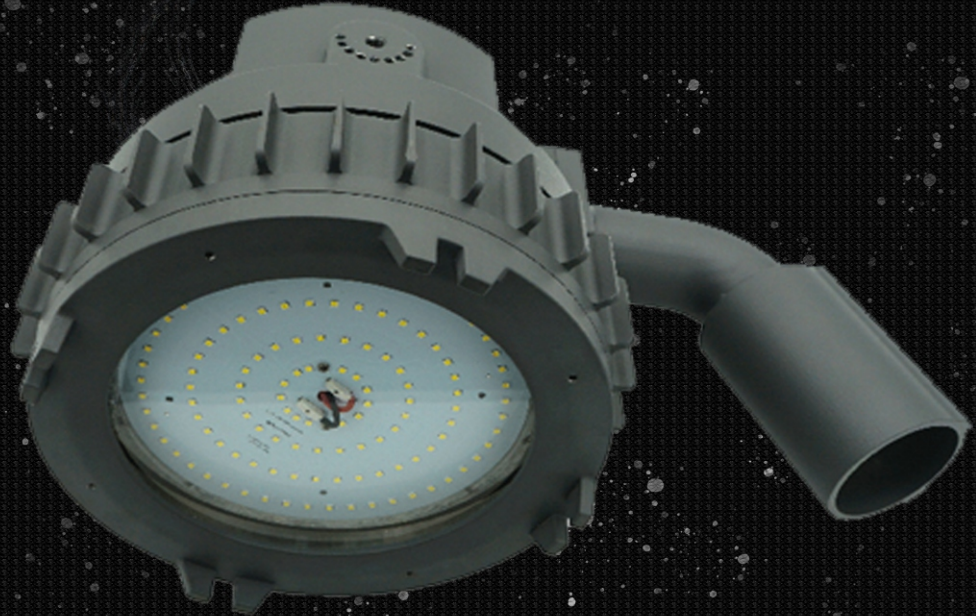




Every Industry

LED EXPLOSION PROOF LIGHT EXPERT



Series S1 S2

Related Power: 20-150W

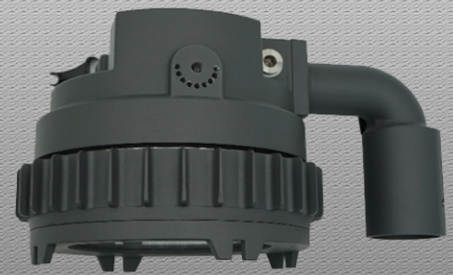
Input: 100-277VAC/200-480VAC

Ratings and protection level

INGRESS PROTECTION: IP66
UL844/UL1598/UL1598A/CAS C22.2 No.137/No.250.0
Class I Div.1, Groups C , D
Class I Div.2, Groups A, B, C , D
Class II Div.1, Groups E, F, G
Class II Div.2, Groups F, G
Class III
Zone 1/2
Zone 21/22



Surface Mounted



90 degree pole adaptor

EVERY INDUSTRY LLC
www.everyindustry.com



Model S Specification



www.everyindustry.com



Explosion Proof

LED High Bay/ Low Bay



Model S1



Model S2

Materials

- ★ Housing: copper free aluminum
- ★ Diffuser: Tempered glass
- ★ Hardware: stainless steel
- ★ Mounting Bracket: stainless steel

Basic Data

Part Number	Wattage	CCT	Voltage Option	Lumens	Warranty	CRI	Emergency Time (Option)
EX-20W S1YZDA	20	2700K-7000K	AC100-277V AC200-480V DC12-36V	2800	5 Years	>80	3 Hours
EX-40W S1YZDA	40			5600			
EX-60W S1YZDA	60			8400			
EX-80W S1YZDA	80			11200			
EX-100W S2YZDA	100			14000			
EX-150W S2YZDA	150			21000			

“S1, S2”= Product Code, “Y”= D or N: D for Dimmable and N for Non-Dimmable “Z”= CCT, from 2700-7000K
 “D”= Beam Angle, D40 for 40°, D60 for 60°, D90 for 90°, D120 for 120°
 A for glass info

Explosion Protection

Marking Atex	Ex II2 G Ex db IIB T6 Gb II2 D Ex db IIIC T80 Db IP66
Marking IECEx	Ex db IIB T6 Gb Ex db IIIC T80 Db IP 66
Marking UL844 (North American)	Class I, Div. 1, Groups C, D Class I, Div. 2, Groups A, B, C, D Class II, Div. 1, Groups E, F, G Class II, Div. 2, Group F, G Class III
Marine Marking	UL 1598A ABS and DNV Type Approved
Other Rating	IP 66 IK 10

Applications

Oil and Gas industry

- ★ All petroleum production and refining
- ★ Petroleum loading and transportation
- ★ Petroleum storage and retail
- ★ LNG industry
- ★ All mining operations and service

Chemical industry

- ★ All types of painting facilities
- ★ Chemical production and storage

Ocean, marine and aerospace field

- ★ Ocean platform facilities and structure
- ★ Aerospace clean room and production
- ★ Ocean vessel operations

Metal treatment

- ★ Steel and aluminum factories
- ★ Pumping stations in any environment
- ★ Metal smelting, foundry, manufacturing

Food and alcohol industry

- ★ Flour and fine particle production and storage
- ★ Food and distilling production
- ★ Alcohol industry

Other high humidity, high dust, high temperature, vapor locations

Key Features

- High quality SMT LED and Meanwell Driver.
- Light-weight designed by aircraft aluminum.
- Heavy-duty and high impact resistance.
- Three connection cable entry points.
- Replaceable LED board and drivers.
- Integrated junction box for driver with emergency back up.
- Dimmable and battery backup function available.
- Marine rating powder coated appearance treatment.

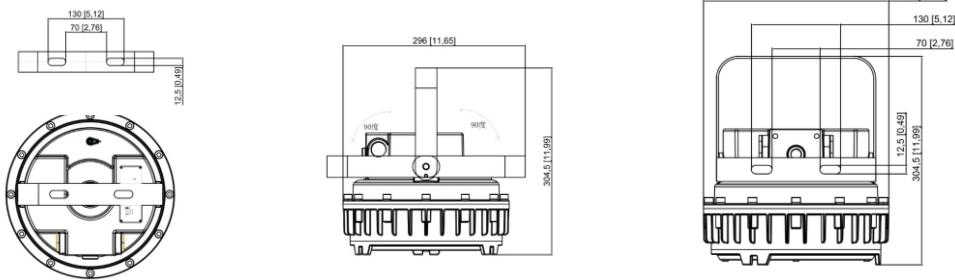
Value-Added Features

- 10kV surge protection.
- Up to ten years limited warranty option.
- Emergency Battery back up for option.
- Working temperature can be more than 85°C.
- Various installation ways for different applications.
- Glass lens or Glass with polycarbonate lens to make wider beam angle.
- High temperature luminaire which can work up to 100°C available for high temperature environment .
- Made in USA is valuable option for customer.
- Customized motion sensor
- Advanced smart system options- Wifi & Bluetooth

Mechanical Structure

Housing Option A: Bracket and Flat Glass Lens

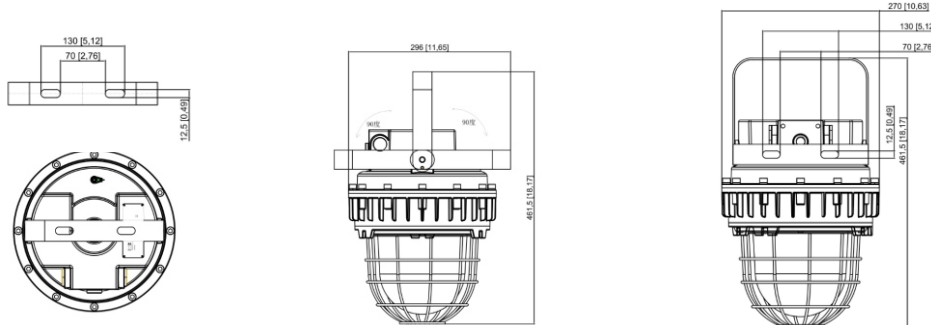
Unit: mm [inch]



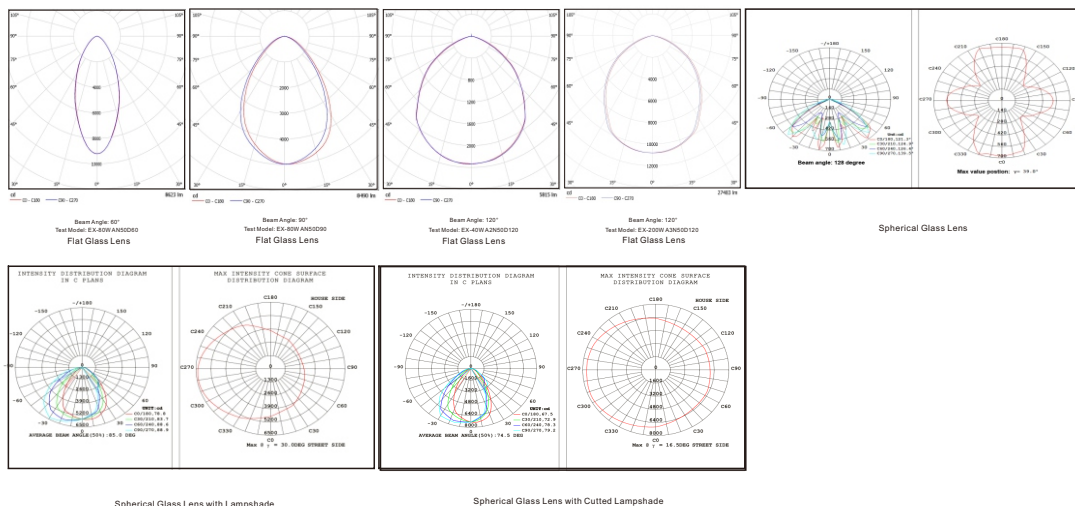
This structure type with bracket, flat glass and optical lens generates 40, 60, 90 and 120 degree light distribution

Housing Option B:

1. Bracket, Global Glass Lens, Wireguard and flat LED module.
2. Bracket, Global Glass Lens, Wireguard and LED corn bulb.



Lighting Distribution

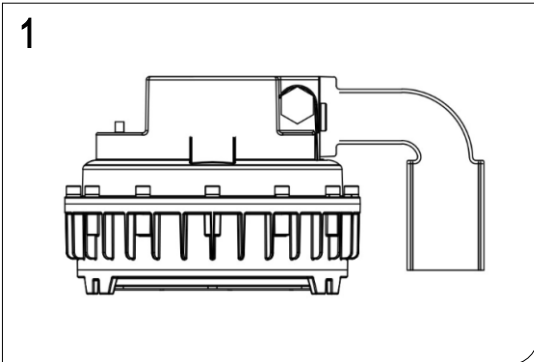


This structure type with bracket, global glass lens and wireguard generates 180° light distribution. We also can put corn bulb in the global glass lens to make this beam angle up to 360°.

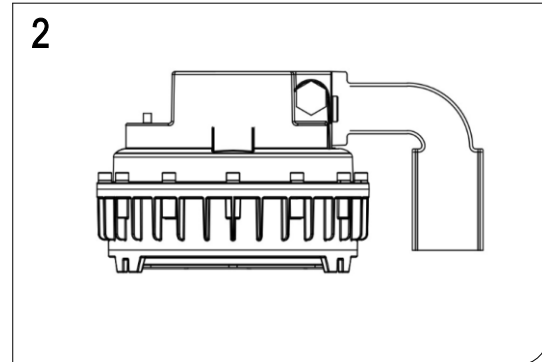


WARNING
RISK OF FIRE, ELECTRIC SHOCK OR PERSONAL INJURY
Before installation, turn power off.

Pole Mounting

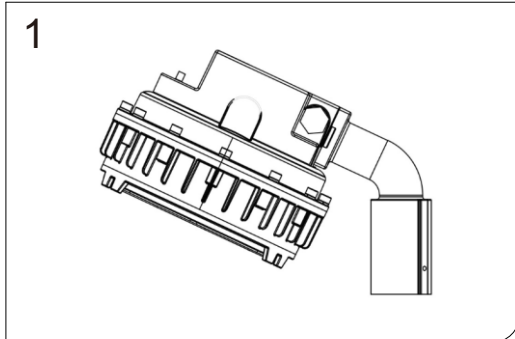


Step 1: Contact the cable to Power Supply Circuit, green and yellow to grounding, white to neutral wire, black to live wire

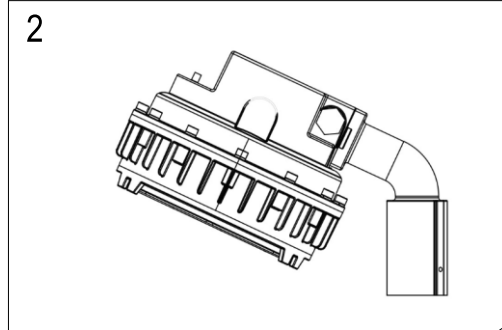


Step 2: Slip the arm to the lamppost, and tighten the slip-proof screw

25 Degree Pole Mounting

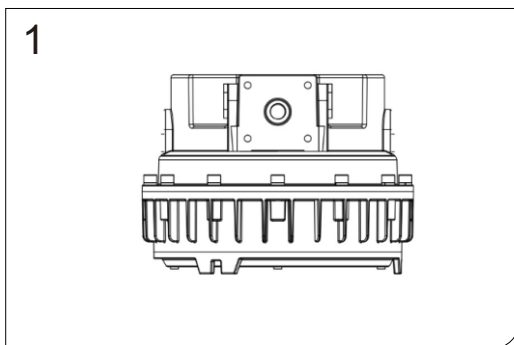


Step 1: Contact the cable to Power Supply Circuit, green and yellow to grounding, white to neutral wire, black to live wire

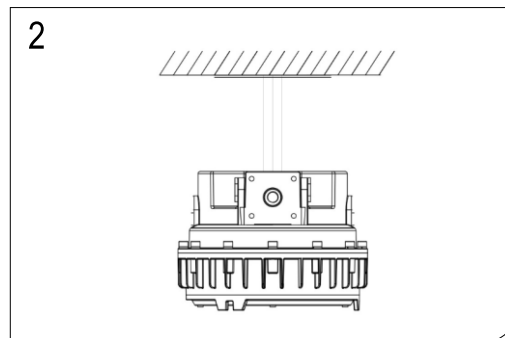


Step 2: Slip the arm to the lamppost, and tighten the slip-proof screw

Pendant Pipe Mounting

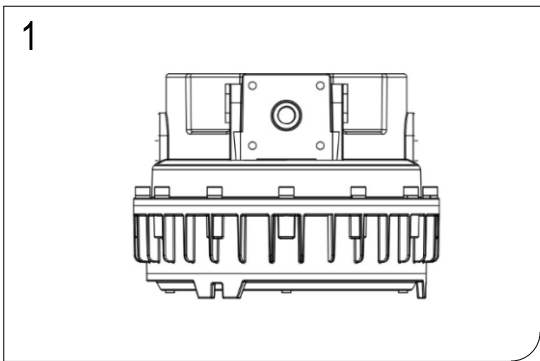


Step 1: Contact the cable to Power Supply Circuit, green and yellow to grounding, white to neutral wire, black to live wire

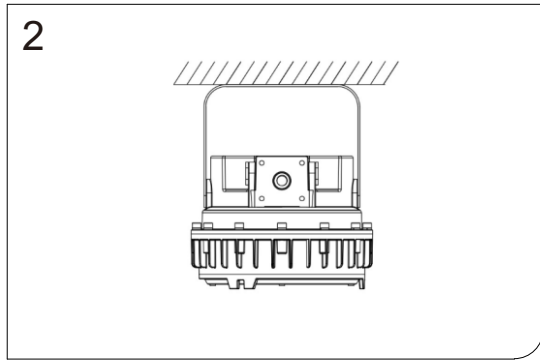


Step 2: Match the entry thread with pipe and tighten it. The pipe need to tight at least 5 thread teethes

Surface Mounting



Step 1: Contact the cable to power supply circuit, green and yellow to grounding, white to neutral wire, black to live wire



Step 2: Drill 2x ϕ 12mm holes for expanded screws, the distance between 83mm to 110mm, tighten the nuts, fixing the fixtures. (The pipe need to tight at least 5 thread teethes)

Packing Information

Model No	Qty/CTN	Length(mm)	Width(mm)	Height(mm)	N.T(KG)	G.T(KG)
S1	1	340	340	250	7	9
S2	1	400	385	335	15	18