



High Temperature Highbay

Features

1. IP67 rated for high resistance to liquids and dust
2. 80°C Ambient rating, suitable for Steel mills, Founder, Smelter and other high temperature applications
3. High efficacy 3030 LEDs and Driver, reach 150lm/Watt
4. Pendant or Hanger Ring mounting options



Application

High Temperature Locations: Steel factory, Smelters, Workshop, Foundries



Technical Data

| | |
|-----------------------|--|
| Model Number | HB-xxxW- A YZDG |
| UL Standard | UL 1598 UL 1598A |
| Housing Material | Aluminum + Tempered Glass |
| Voltage | 100-277VAC or 347-480VAC 50/60Hz |
| Wattage (A series) | 10-150W |
| Lumen Efficiency | 150LPW |
| CCT | 2200- 7000K |
| CRI | >=80 |
| Beam Angle | 20-120 degrees |
| Operation Temperature | -40 to 80°C |
| IP Rating | IP66/ IP67 |
| Product Dimension | D210*530mm/ D434*818mm(with reflector) |
| Dimming | 0-10V |

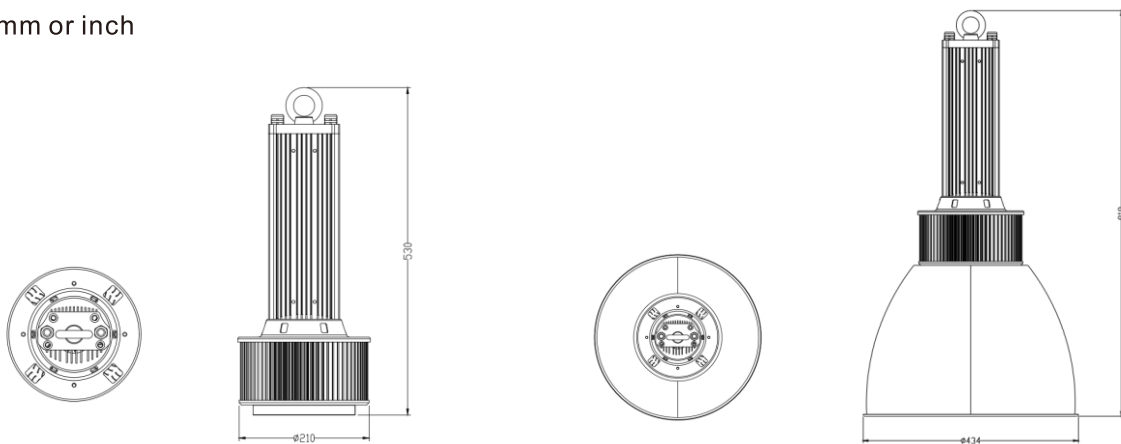
**B-
/A**

Packing Information

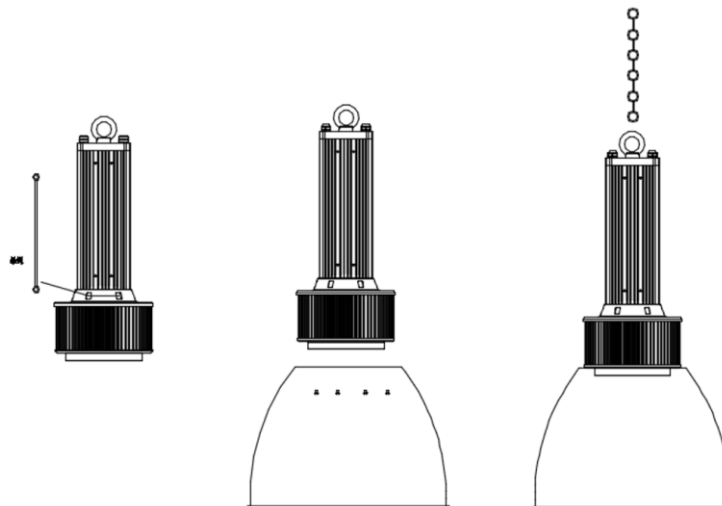
| Model | Quantity/Carton | Packing Size (mm) | N.W (KG) | G.W(KG) |
|------------|-----------------|-------------------|----------|---------|
| HB-W A WKB | 1 | ** | | |
| HB-W A WKB | 1 | ** | | |

Dimension

Unit: mm or inch



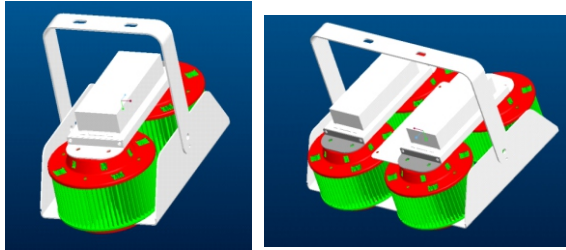
Installation



Step 1: Lock the light housing and Bracket with steel chain;

Step 2: Fix the reflector with M4*6

Step 3: Hang with steel chain



300W

600W

High Temperature Highbay

Features

1. IP67 rated for high resistance to liquids and dust
2. 80°C Ambient rating, suitable for Steel mills, Founder, Smelter and other high temperature applications
3. High efficacy 3030 LEDs and Driver, reach 150lm/Watt
4. Pendant or Bracket mounting options

Application

High Temperature Locations: Steel factory, Smelters, Workshop, Foundries



Technical Data

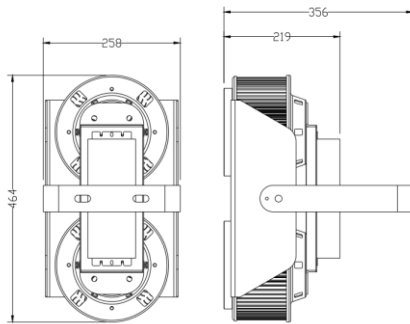
| | |
|-----------------------|----------------------------------|
| Model Number | HB-xxxW- B YZDG |
| UL Standard | UL1598 UL1598A |
| Housing Material | Aluminum + Tempered Glass |
| Voltage | 100-277VAC or 347-480VAC 50/60Hz |
| Wattage (B series) | 300-600W |
| Lumen Efficiency | 150LPW |
| CCT | 2200- 7000K |
| CRI | >=80 |
| Beam Angle | 20-120 degrees |
| Operation Temperature | -40 to 80°C |
| IP Rating | IP66/ IP67 |
| Product Dimension | 464*258mm(300W)/ |
| Dimming | 0-10V |

Packing Information

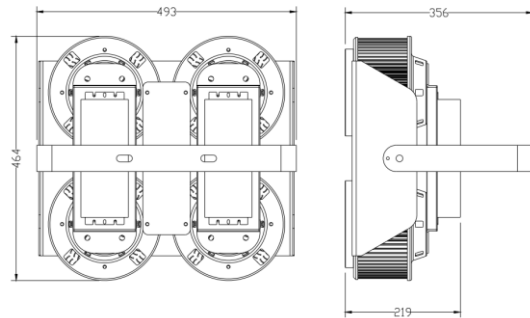
| Model | Quantity/Carton | Packing Size (mm) | N.W (KG) | G.W(KG) |
|-----------|-----------------|-------------------|----------|---------|
| HB-300W B | 1 | ** | | |
| HB-600W B | 1 | ** | | |

Dimension

Unit: mm or inch



300W



600W

Installation

