



LED EXPLOSION PROOF LIGHT EXPERT



Series W

Input: 24VDC 100-277VAC

Ratings and protection level

INGRESS PROTECTION: IP66
UL844/UL/1598/UL1598A/CAS C22.2 No.137/No.250.0
Class I Div.1, Groups C, D
Class I Div.2, Groups A, B, C, D
Class II Div.1, Groups E, F, G
Class II Div.2, Groups F, G
Class III



EVERY INDUSTRY LLC
www.everyindustry.com

Representantes Sinteg / fono +56 229668227 / Email Contacto@sinteg.cl / web www.sinteg.cl



Explosion Proof

LED Alarm & Strobe



Explosion Protection

Marking UL844
(North American)

Class I, Division 1, Groups C, D
Class I, Division 2, Groups A, B, C, D
Class II, Division 1, Groups E, F, G
Class II, Division 2, Groups F, G
Class III

Marine Marking UL 1598A
ABS and DNV Type Approved

Other Rating IP 66
IK 10

Applications

Oil and Gas industry

- ★ All petroleum production and refining
- ★ Petroleum loading and transportation
- ★ Petroleum storage and retail
- ★ LNG industry
- ★ All mining operations and service

Chemical industry

- ★ All types of painting facilities
- ★ Chemical production and storage

Ocean, marine and aerospace field

- ★ Ocean platform operation facilities and structure
- ★ Aerospace clean room and production
- ★ Ocean vessel operations

Metal treatment

- ★ Steel and aluminum factories
- ★ Pumping stations in any environment
- ★ Metal smelting, foundry and manufacturing

Food and alcohol industry

- ★ Flour and fine particle production and storage
- ★ Food and distilling production
- ★ Alcohol industry

Other high humidity, dust, high temperature, vapor locations

Materials

- ★ Housing: Copper free aluminum
- ★ Diffuser: Tempered glass
- ★ Bolts: Stainless steel
- ★ Mounting Bracket: Stainless steel

Basic Data

Part Number	Speaker Wattage	LED Power	Voltage Options	Volume	Warranty	Flash(Max)
EX-WD 100db	15	10	AC: 100-277V <input type="checkbox"/> DC: 24V <input type="checkbox"/>	100	5 years	60T/min
EX-WD 110db	20	10		110		
EX-WD 120db	25	10		120		

“EX” for explosion proof product; “W”=Product code, WD for Warning Device; 100db for 2.5 meter max volume.

Key Features

- 3 combinations for different applications.
- High output alarm, up to 120 dB.
- Selectable alarm stages/channels.
- Selectable strobe color and flash rates.
- Adjustable stainless U bracket.
- Heavy-duty and high impact resistance.
- Three connection cable entries.
- Marine rating powder coated appearance treatment.

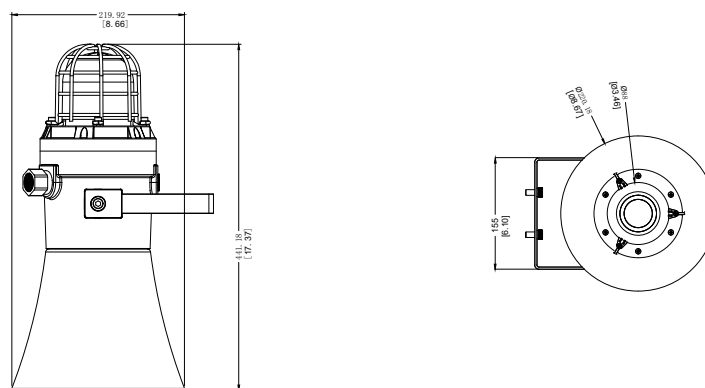
Value-Added Features

- Available with custom tone and frequency.
- Up to ten years limited warranty option.
- Emergency Battery back up.
- Working temperature can be more than 85°C.
- Various installation ways for different applications.
- Fire alarm use.

Mechanical Structure

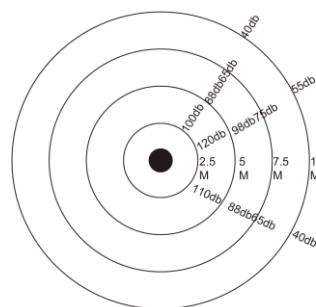
Unit: mm or inch

Model W:



This structure type with bracket.

Distribution



Installation Manual

READ INSTRUCTIONS CAREFULLY BEFORE INSTALLING. KEEP THIS INSTRUCTIONS FOR FUTURE REFERENCE. Fixtures must be wired in accordance with the National electrical code and all applicable local codes. Proper grounding is required for safety. THIS PRODUCT MUST BE INSTALLED IN ACCORDANCE WITH THE APPLICABLE INSTALLATION CODE BY QUALIFIED ELECTRICIAN WHO IS FAMILIAR WITH THE CONSTRUCTION AND OPERATION OF THE PRODUCT AND THE HAZARDOUS INVOLVED.

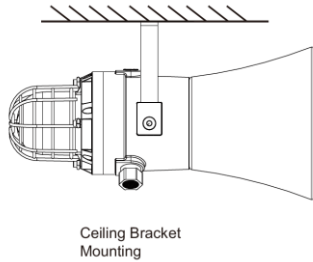
- Warning:** Risk of fire or electric shock. Installation requires knowledge of luminaires and electrical systems. If not qualified, DO NOT try to install. Please contact an electrician.
- Warning:** Risk of fire or electric shock. Suitable for wet locations. Make sure the power is off prior to installation.
- Warning:** Risk of fire or electric shock. Suitable for non-insulated surface and frame. DO NOT cover fixture with insulation liner or similar material.
- Warning:** DO NOT install in unstable, loose or breakable surfaces.
- Warning:** DO NOT let objects impact or exert force on the surface of the fixture.
- Warning:** DO NOT open the enclosure.

Bracket Mounting



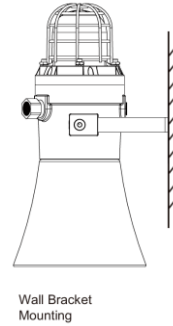
⚠ WARNING
 Risk of fire, Electric shock or personal injury
 Please turn off power before installation!

1



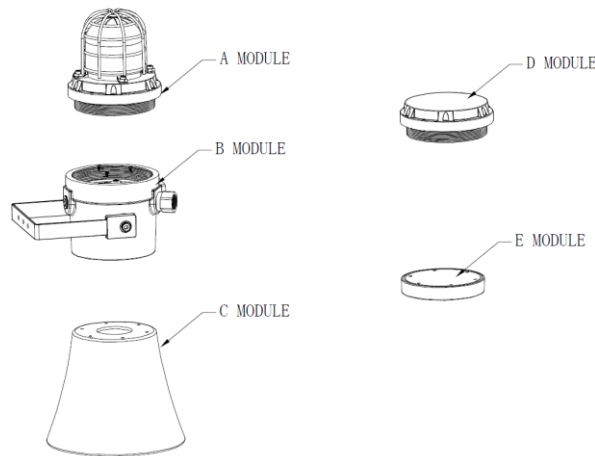
Drill 2x Ø15 holes for expanded screws, and fixing the them to the ceiling. Install the fixture to the expanded screws, and tighten the nuts.

2

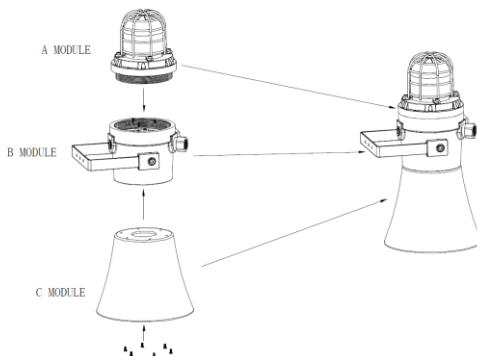


Drill 2x Ø15 holes for expanded screws, and fixing the them to the wall. Install the fixture to the expanded screws, and tighten the nuts.

3 combinations

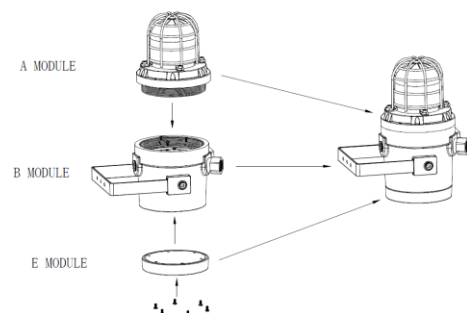


1. Strobe and alarm horn



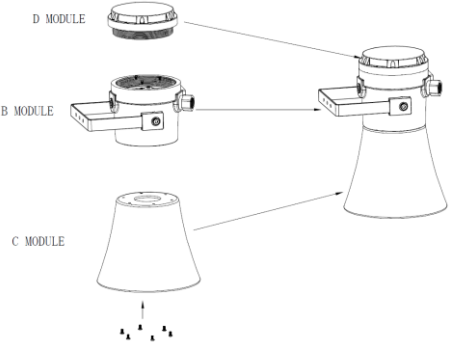
The strobe and alarm is composed of A, B and C module.

2. Strobe



The strobe beacon is composed of A, B and E module.

3. Alarm horn sounder



The alarm horn sounder is composed of B, C and D module.

Packing Information

Model	Quantity/Ctn	Length(cm)	Width (cm)	Height(cm)	Net(Kg)	Gross(Kg)
W	1	64	38	32	8.6	10.2